

LV-414SQ Recessed ground/wall light

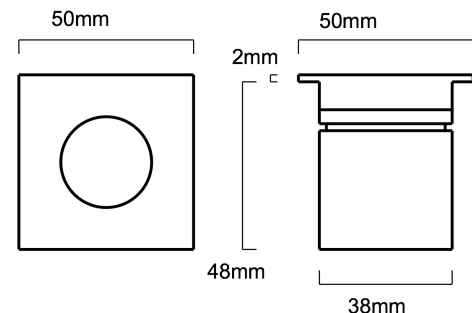
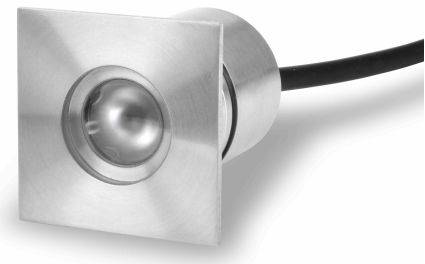
DATA SHEET

The LV-414SQ is a small recessed light designed for the up lighting of walls, pillars, and garden structures, it can be mounted as a hardscape product or installed into lawn/soil using the PVC mounting sleeve provided. The LV-414SQ can also be used for the lighting of exterior steps or as an interior product for various design schemes. Machined from solid billets of 316L stainless steel or aluminium.

Available in black anodised aluminium, or 316L stainless steel.

Light Visuals products are made to order.
(Please allow 3 weeks for delivery).

(Anodised natural or silver, solid machined brass or copper available as special orders, minimum quantities apply, please enquire for lead times).



- Designed, manufactured, and hand assembled in England
- Black anodised aluminium 6082 or 316L stainless steel construction
- Wiring to be in (SERIES)
- Requires a remote (constant current) LED driver 700mA maximum
- 350mA = 1.2w, 500mA = 1.7w, 700mA = 2.4w drivers can be used
- Forward voltage: 3.2v DC
- Colour temperature: 2700K (warm white)
- Light source: Cree XP-E (integral LED)
- BIN: 8B4 Q3
- CRI 85
- 79.98lm@350mA 139.96lm@700mA (Typical)
- Dimmable 0-10V
- Beam choice; 10°, 18°, 32°, 42°
- IP68
- 1m 2 core HO5RN-F rubber cable
- 5 year guarantee
- PVC installation sleeve supplied
- Product code: LV-414SQ

Light Visuals products have been independently tested and certified by a UKAS registered laboratory in the UK.

April 2015

