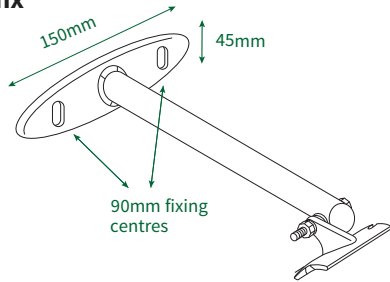


# fixing brackets

## standard brackets

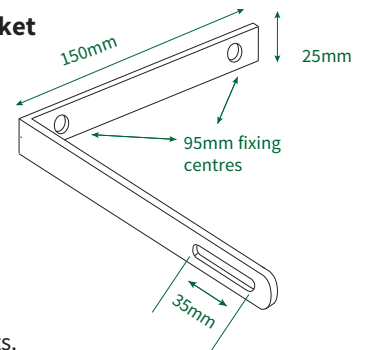
### uni bracket

200mm horizontal 'T' fix



### adjustable steel bracket

200mm adjustable bracket

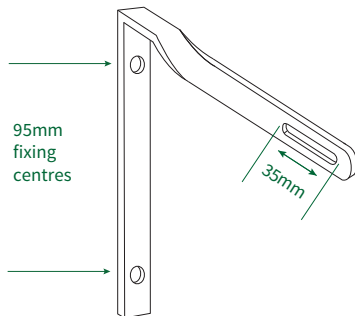


All can be supplied as 50mm, 100mm, 300mm & 400mm projection. 500mm option with steel brackets.

## optional mounting bracket

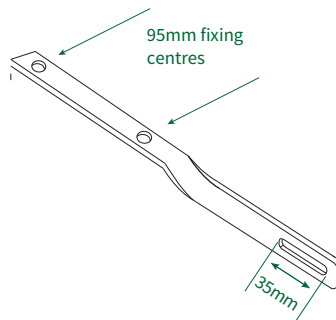
### Vertical twist bracket

Ideal for claddings

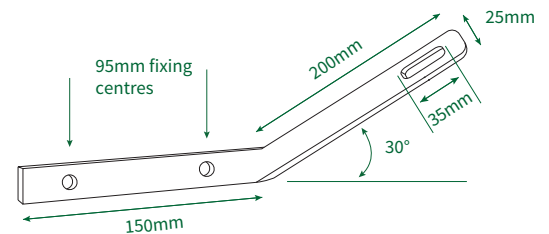


### Flat twist bracket

Ideal for flat fixings



### 30 degree angle bracket

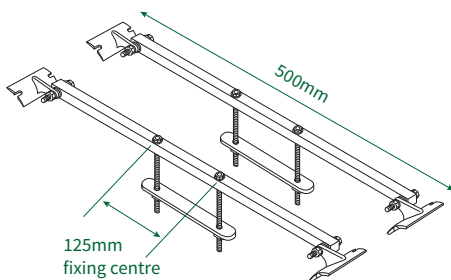


All can be supplied as 100mm, 300mm, 400mm and 500mm projection as extra.

## others

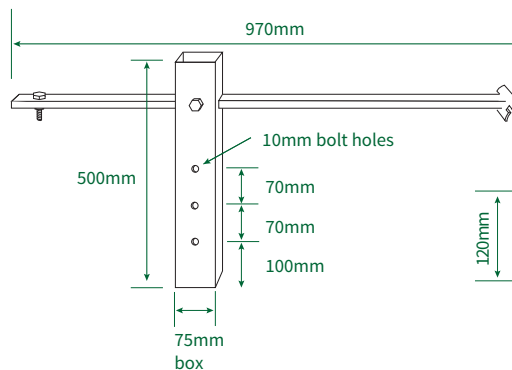
### Pictorial bracket set

Ideal for back to back signs



### 970mm land bracket

For free standing billboards & large format signs



### 650mm gable bracket

For wall mounted billboards and large format signs

