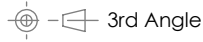


Technical Information



Design

BSEN40, PD6547: 2004+A1: 2009 (No sign)

Load class B

Deflection class 3

Head load- See Table

Finish

Galvanised to BSEN 1461:2009

Welding

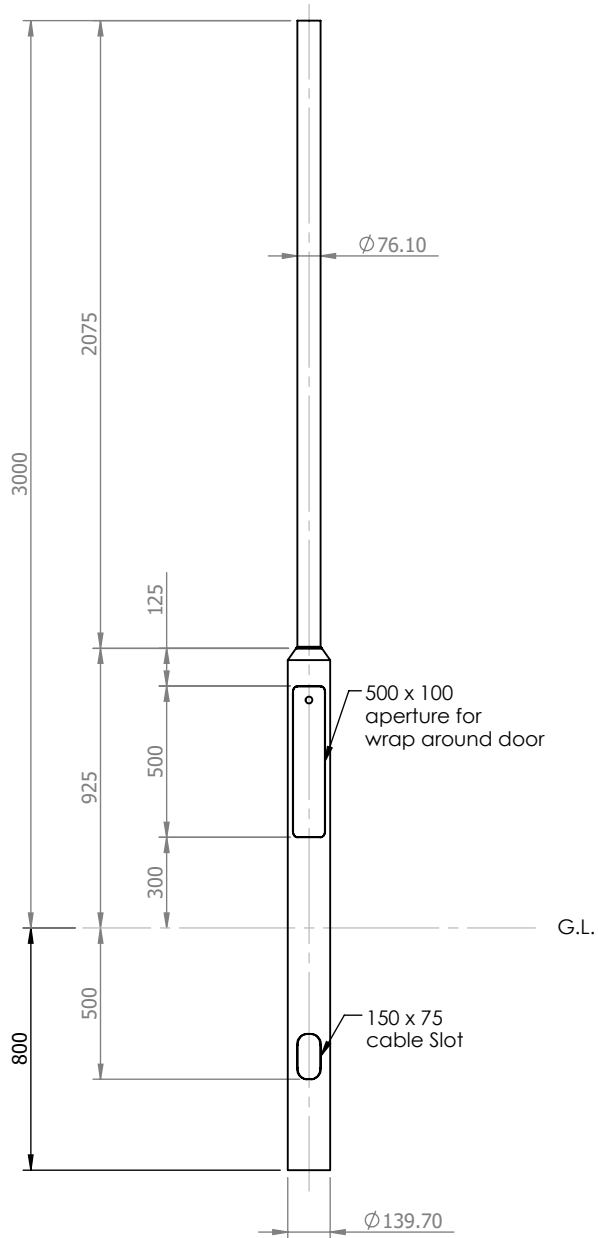
In accordance with BSEN1011

Procedures to BSEN ISO 15614-1:2017

Welders qualified to BSEN ISO 9606-1:2017

\* Maximum design head load based on wind loading region with orientation of bracket/ luminaire(s) being on same plane as door

Maximum Loading including Bracket		
Wind Loading Region	Terrain Category	Weight/Area
Extra Light	II	150kg/1.5m <sup>2</sup>
	III	160kg/1.65m <sup>2</sup>
Light	II	140kg/1.32m <sup>2</sup>
	III	160kg/1.45m <sup>2</sup>
Medium	II	130kg/1.22m <sup>2</sup>
	III	140kg/1.35m <sup>2</sup>
Heavy	II	120kg/1.13m <sup>2</sup>
	III	135kg/1.24m <sup>2</sup>
Extra Heavy	II	100kg/0.92m <sup>2</sup>
	III	120kg/1.0m <sup>2</sup>



2020 © Copyright

Revisions		
Rev.	Description	Date
1	Loading Table Added	14/11/13

Title

3 Metre Tubular Post Top Column

Drng No. 28344-1

Scale:1:25

Sheet 1 of 1

Drawn By: MJB

Chk'd: MB

Ref. 3M01A

Contract:

Customer:

Date: 5/12/2013

Exterior Lights UK Ltd  
Tel.01689 606342  
www.exteriorlights.co.uk

Notes

All dimensions in millimetres unless stated otherwise.

When Multiple views are shown 3rd Angle Projection is assumed.