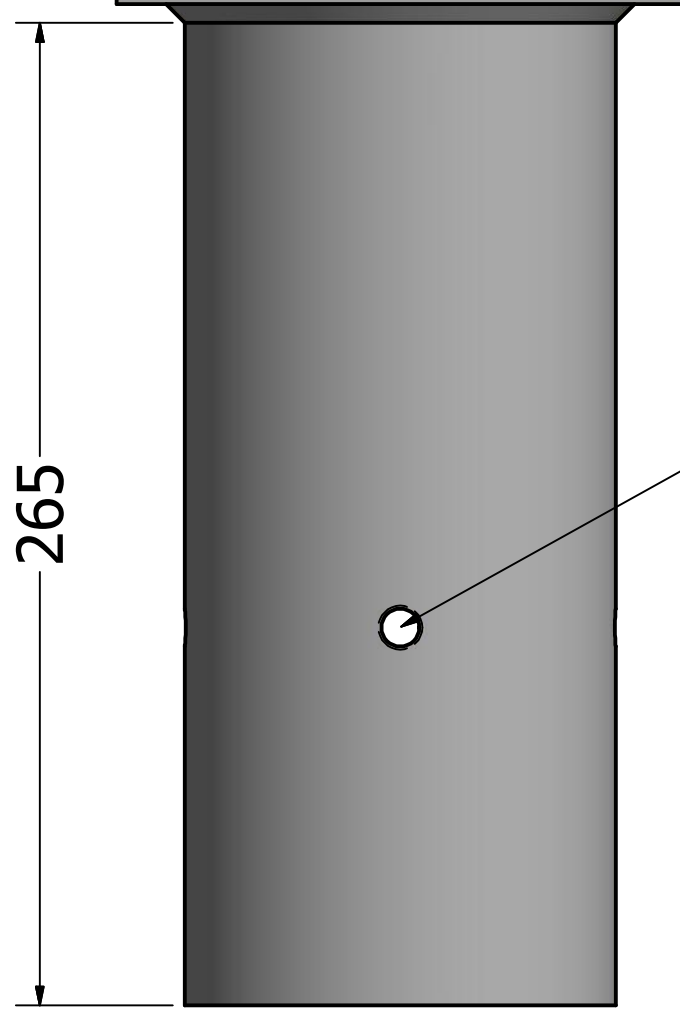
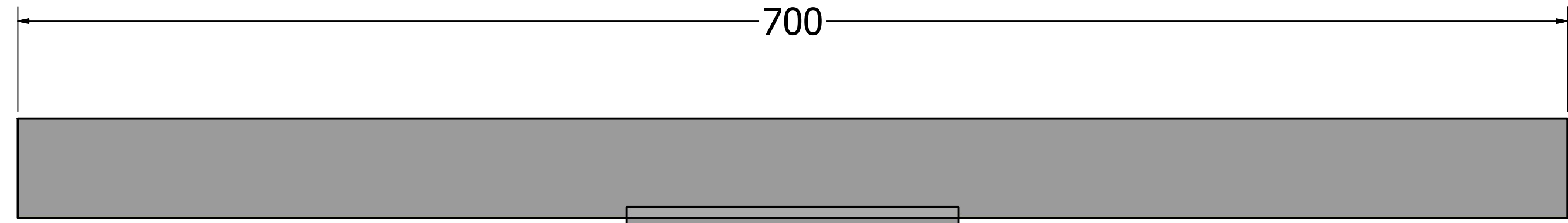
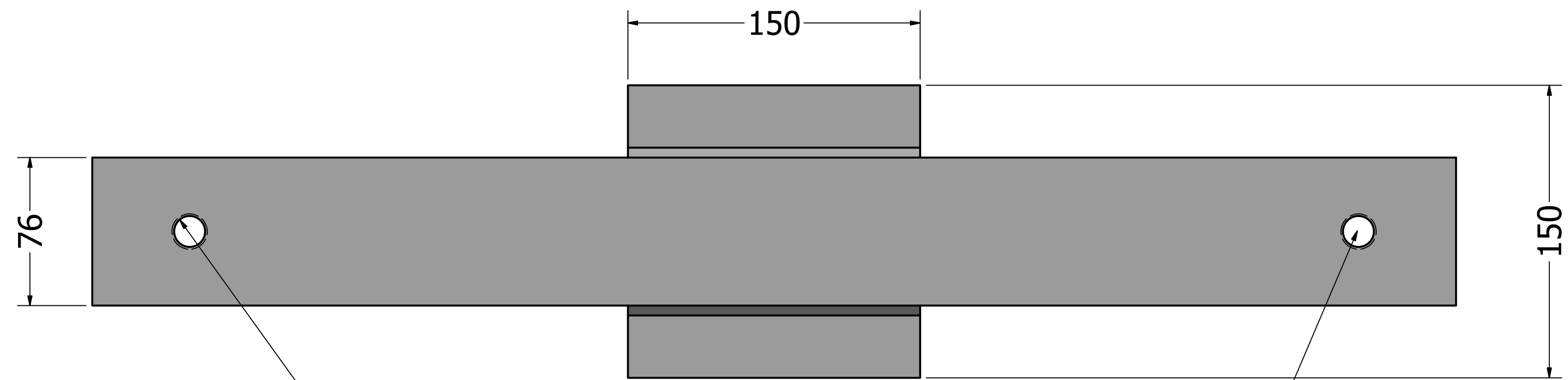


8 7 6 5 4 3 2 1

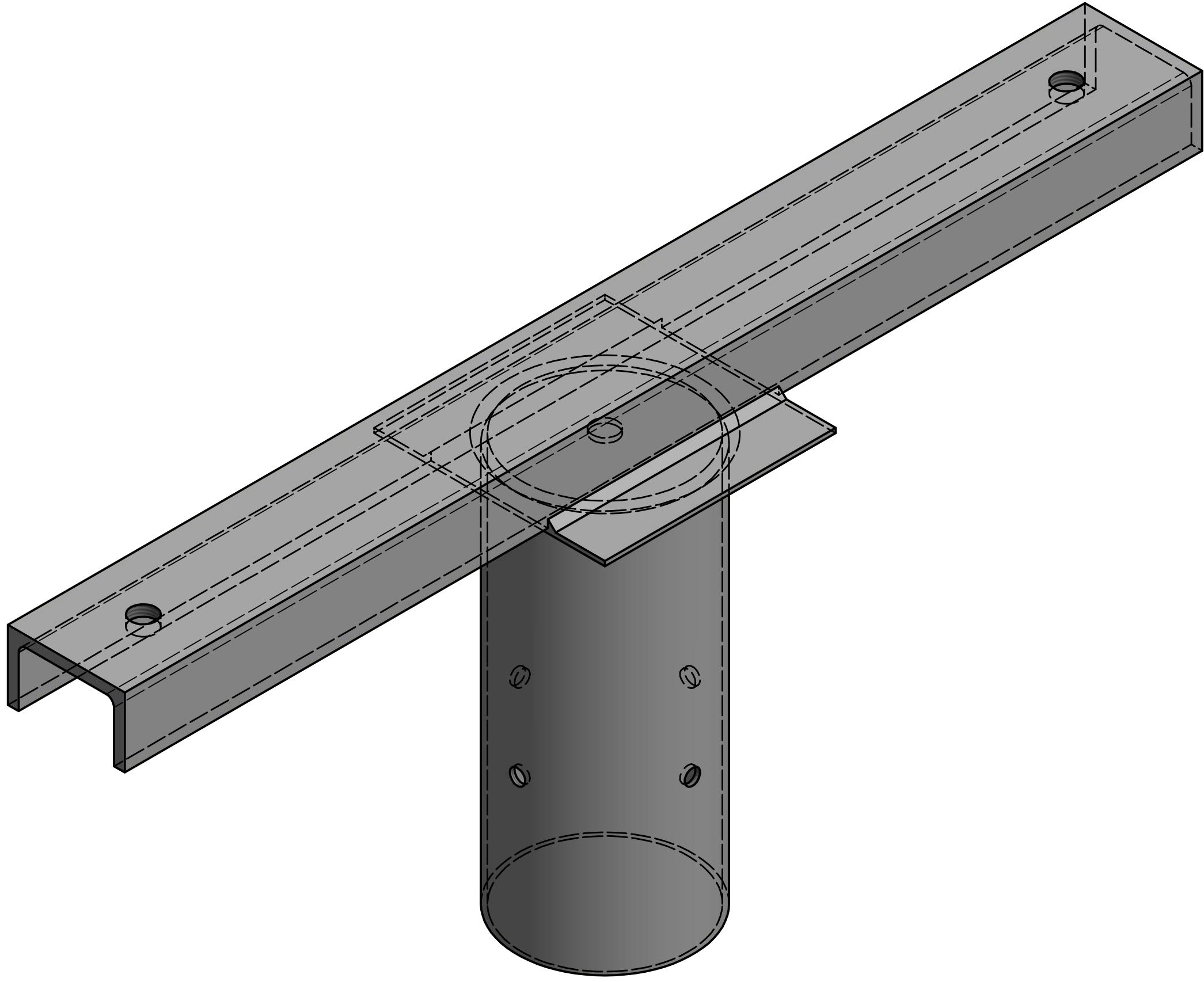


4 HOLES DRILLED AND TAPPED M10

TO SUIT COLUMN SHAFT 114 WITH INTEGRAL REDUCER OR 101MM POST TOP SPIGOTS



TWO HOLES DRILLED M14



GENERAL NOTES:
ALL DIMENSIONS IN MILIMETERS
ALL BURRS AND SHARP EDGES TO BE REMOVED

Exterior Lights UK Ltd
TEL: 01689 606342
EMAIL:sales@exteriorlights.co.uk
WEB: www.exteriorlights.co.uk

DRAWN Neil Carter	17/06/2016	TITLE	
CHECKED		TWIN GALVANISED FLOODLIGHT BRACKET TO SUIT 114MM COLUMN SHAFT WITH INTEGRAL REDUCER OR 101MM POST TOP SPIGOTS	
QA		SIZE	D
MFG		DWG NO	X2-114
APPROVED		REV	
SCALE 1 / 2		SHEET 1 OF 1	

8 7 6 5 4 3 2 1