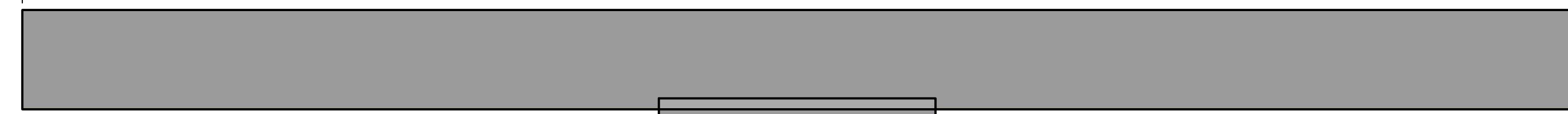
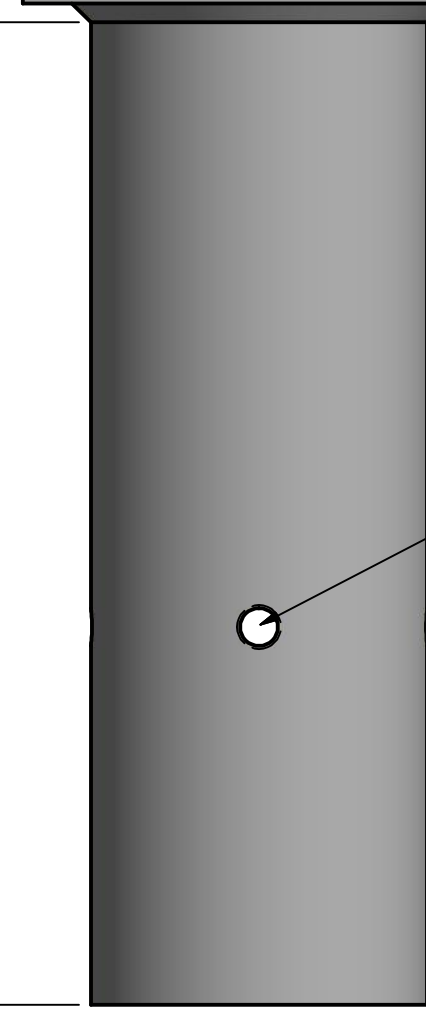


8 7 6 5 4 3 2 1

700



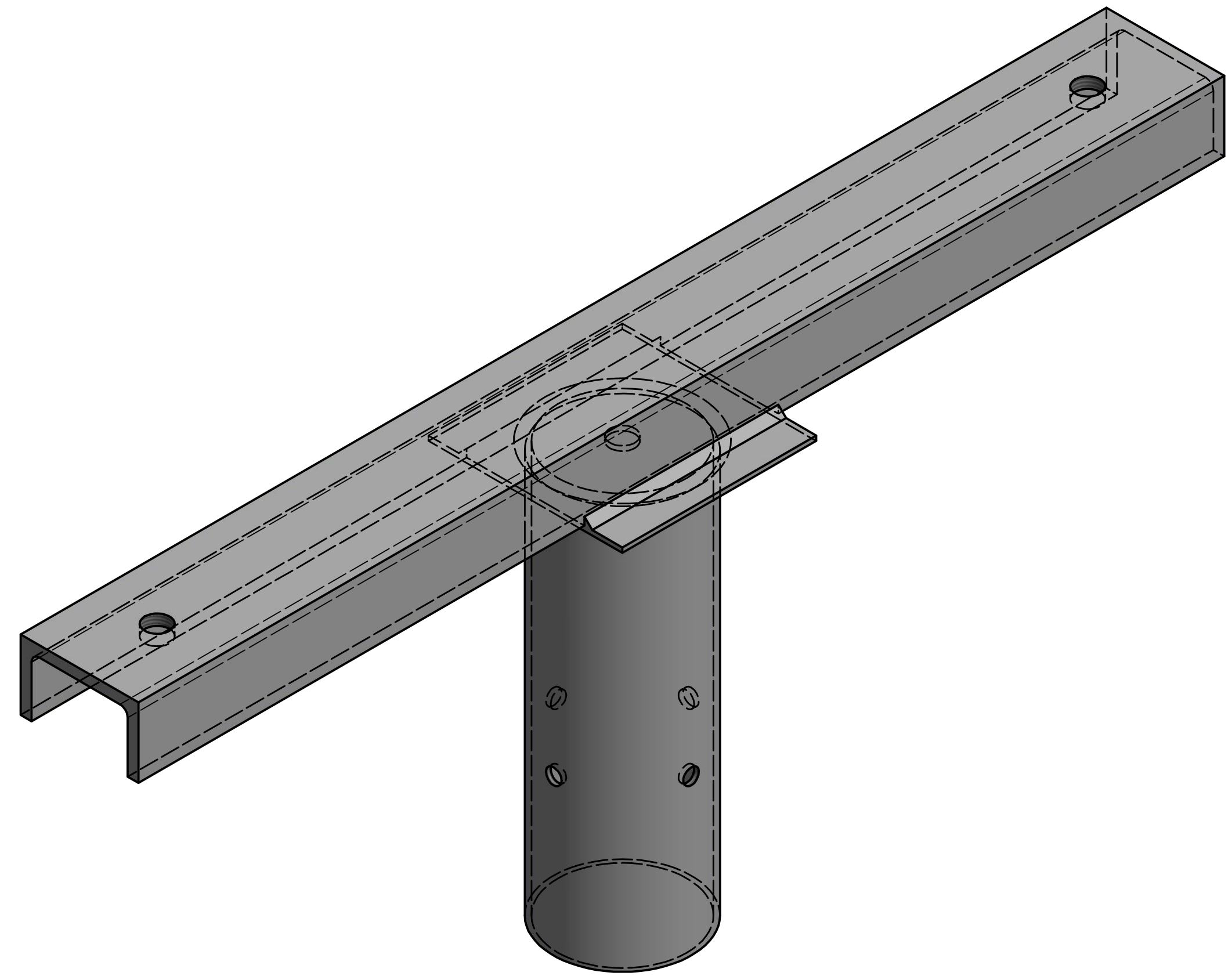
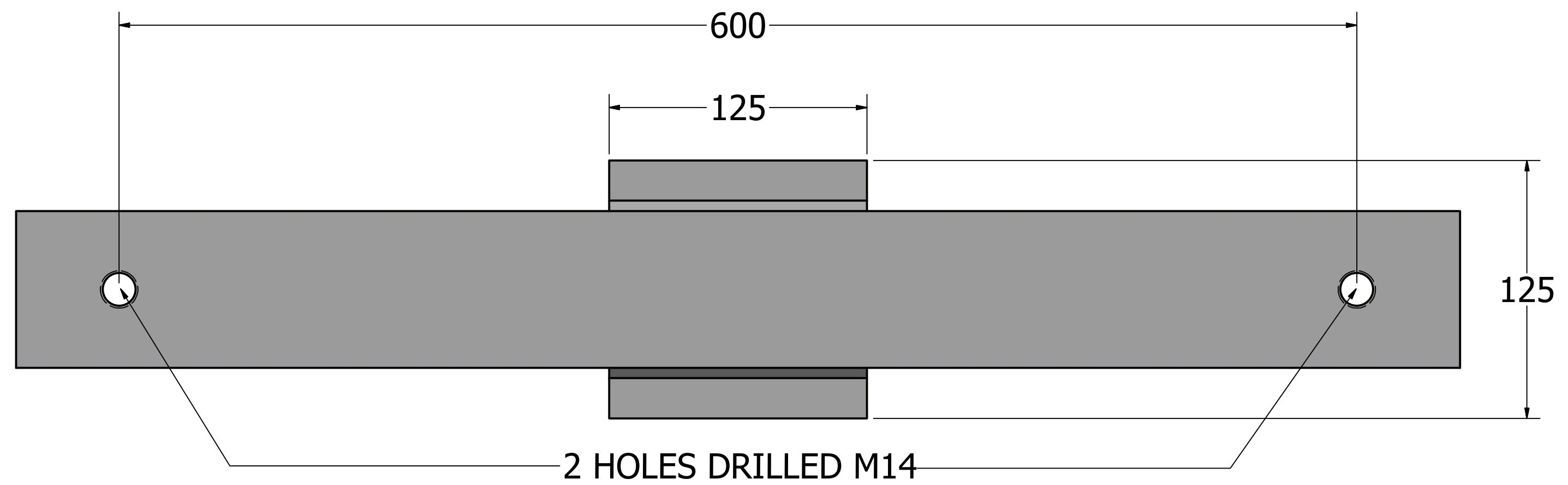
265



4 HOLES DRILLED AND TAPPED M10



TO SUIT 76MM POST TOP COLUMNS OR SPIGOTS



GENERAL NOTES:  
ALL DIMENSIONS IN MILIMETERS  
ALL BURRS AND SHARP EDGES TO BE REMOVED

Exterior Lights UK Ltd  
TEL: 01689 606342  
EMAIL:  
sales@exteriorlights.co.uk  
WEB: www.exteriorlights.co.uk

|                      |            |   |        |
|----------------------|------------|---|--------|
| DRAWN<br>Neil Carter | 16/06/2016 | TITLE   |        |
| CHECKED              |            | TWIN GALVANISED FLOODLIGHT BRACKET TO SUIT 76MM POST TOP COLUMNS OR SPIGOTS |        |
| QA                   |            | SIZE  | DWG NO |
| MFG                  |            | D   | X2-89  |
| APPROVED             |            | SCALE   | 1 / 2  |
|                      |            | SHEET 1 OF 1  |        |

8 7 6 5 4 3 2 1