



Exterior Lights UK Ltd

The Broadstairs is a modern IP65 / IK08 LED post top with a choice of asymmetric or symmetric light distribution.

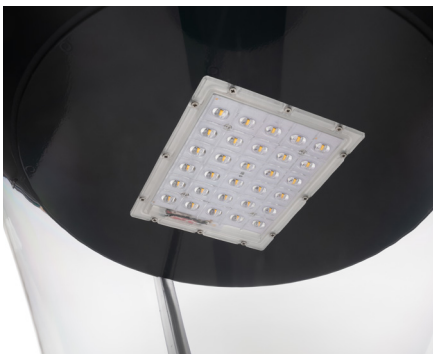
Manufactured from UV stabilised polycarbonate and incorporating the latest LED and LED driver technology.

Options include Mini Photocell, Nema Socket and spigot entry size.



Broadstairs 40W - LED Post Top

Amenity Lighting



Features

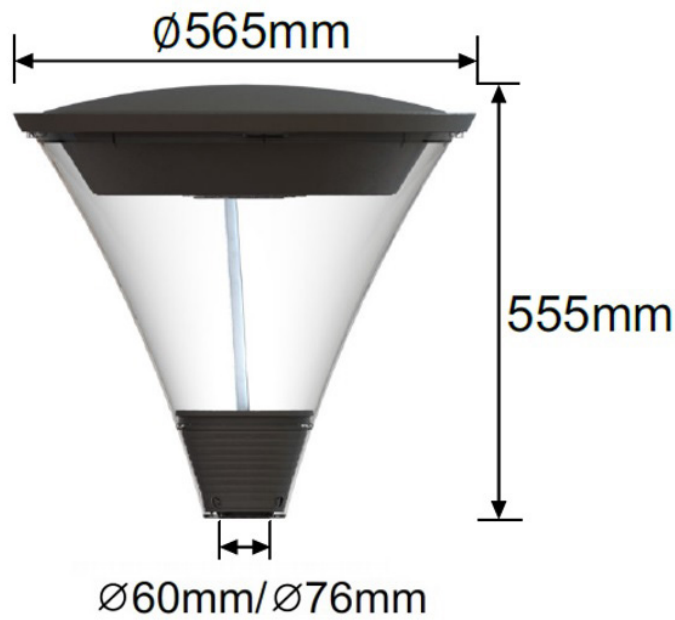
- LED rating 6,242lm (4000K & 6000K).
- LED rating 5,293lm (3000K).
- Luminaire flux 5,742lm (4000K & 6000K).
- Luminaire flux 4,869lm (3000K).
- 3000K (WW), 4000K (NW) and 6000K (CW) colour temperature options.
- Cree LEDs & Premium Driver.
- -20 to +40°C operating temperature.
- LED Life span > 100,000hrs.
- Easy access to LED and Driver via a removable head.
- Optional Mini Photocell.
- Symmetrical & Asymmetrical LED Optics
- Manufactured from UV stabilised polycarbonate.
- RAL 9005 (Black) epoxy powder paint finish.

Applications

- Car Parks
- Retail Parks
- Walk Ways
- Parks & Gardens
- Security
- Amenity Areas

www.exteriorlights.co.uk

01689 606 342



Specifications

Broadstairs 40W

Item Number	Description	Light Source	LED Rating (lm)	Total Wattage (W)	CCT (K)	CRI	Voltage (VAC)	Luminaire Flux (lm)	Luminaire Efficacy (lm/W)	Kg	Unit Colour	Spigot Size (mm)
Standard - 76mm Spigot												
MP40-AC-00B-76-SYM	Broadstairs-40W-LED-AC-6K-Std-Black-76mm-SYM	LED	6,242	40	6K	Ra>70	220-240	5,742	144	9.0	Black	76
MP40-AC-00B-76-A/SYM	Broadstairs-40W-LED-AC-6K-Std-Black-76mm-A/SYM	LED	6,242	40	6K	Ra>70	220-240	5,742	144	9.0	Black	76
MP40-AN-00B-76-SYM	Broadstairs-40W-LED-AC-4K-Std-Black-76mm-SYM	LED	6,242	40	4K	Ra>70	220-240	5,742	144	9.0	Black	76
MP40-AN-00B-76-A/SYM	Broadstairs-40W-LED-AC-4K-Std-Black-76mm-A/SYM	LED	6,242	40	4K	Ra>70	220-240	5,742	144	9.0	Black	76
MP40-AW-00B-76-SYM	Broadstairs-40W-LED-AC-3K-Std-Black-76mm-SYM	LED	5,293	40	3K	Ra>70	220-240	4,869	122	9.0	Black	76
MP40-AW-00B-76-A/SYM	Broadstairs-40W-LED-AC-3K-Std-Black-76mm-A/SYM	LED	5,293	40	3K	Ra>70	220-240	4,869	122	9.0	Black	76
Standard - 60mm Spigot												
MP40-AC-00B-60-SYM	Broadstairs-40W-LED-AC-6K-Std-Black-60mm-SYM	LED	6,242	40	6K	Ra>70	220-240	5,742	144	9.0	Black	60
MP40-AC-00B-60-A/SYM	Broadstairs-40W-LED-AC-6K-Std-Black-60mm-A/SYM	LED	6,242	40	6K	Ra>70	220-240	5,742	144	9.0	Black	60
MP40-AN-00B-60-SYM	Broadstairs-40W-LED-AC-4K-Std-Black-60mm-SYM	LED	6,242	40	4K	Ra>70	220-240	5,742	144	9.0	Black	60
MP40-AN-00B-60-A/SYM	Broadstairs-40W-LED-AC-4K-Std-Black-60mm-A/SYM	LED	6,242	40	4K	Ra>70	220-240	5,742	144	9.0	Black	60
MP40-AW-00B-60-SYM	Broadstairs-40W-LED-AC-3K-Std-Black-60mm-SYM	LED	5,293	40	3K	Ra>70	220-240	4,869	122	9.0	Black	60
MP40-AW-00B-60-A/SYM	Broadstairs-40W-LED-AC-3K-Std-Black-60mm-A/SYM	LED	5,293	40	3K	Ra>70	220-240	4,869	122	9.0	Black	60

Legend: **M/Photocell** = Mini Photocell. **SYM** = Symmetrical. **A/SYM** = Asymmetrical.
3K = Warm White (3000K). **4K** = Neutral White (4000K). **6K** = Cool White (6000K).

Specifications

Broadstairs 40W

Item Number	Description	Light Source	LED Rating (lm)	Total Wattage (W)	CCT (K)	CRI	Voltage (VAC)	Luminaire Flux (lm)	Luminaire Efficacy (lm/W)	Kg	Unit Colour	Spigot Size (mm)
Standard - Mini Photocell - 76mm Spigot												
MP40-AC-04B-76-SYM	Broadstairs-40W-LED-AC-6K-Std-M/Photocell-Black-76mm-SYM	LED	6,242	40	6K	Ra>70	220-240	5,742	144	9.0	Black	76
MP40-AC-04B-76-A/SYM	Broadstairs-40W-LED-AC-6K-Std-M/Photocell-Black-76mm-A/SYM	LED	6,242	40	6K	Ra>70	220-240	5,742	144	9.0	Black	76
MP40-AN-04B-76-SYM	Broadstairs-40W-LED-AC-4K-Std-M/Photocell-Black-76mm-SYM	LED	6,242	40	4K	Ra>70	220-240	5,742	144	9.0	Black	76
MP40-AN-04B-76-A/SYM	Broadstairs-40W-LED-AC-4K-Std-M/Photocell-Black-76mm-A/SYM	LED	6,242	40	4K	Ra>70	220-240	5,742	144	9.0	Black	76
MP40-AW-04B-76-SYM	Broadstairs-40W-LED-AC-3K-Std-M/Photocell-Black-76mm-SYM	LED	5,293	40	3K	Ra>70	220-240	4,869	122	9.0	Black	76
MP40-AW-04B-76-A/SYM	Broadstairs-40W-LED-AC-3K-Std-M/Photocell-Black-76mm-A/SYM	LED	5,293	40	3K	Ra>70	220-240	4,869	122	9.0	Black	76
Standard - Mini Photocell - 60mm Spigot												
MP40-AC-04B-60-SYM	Broadstairs-40W-LED-AC-6K-Std-M/Photocell-Black-60mm-SYM	LED	6,242	40	6K	Ra>70	220-240	5,742	144	9.0	Black	60
MP40-AC-04B-60-A/SYM	Broadstairs-40W-LED-AC-6K-Std-M/Photocell-Black-60mm-A/SYM	LED	6,242	40	6K	Ra>70	220-240	5,742	144	9.0	Black	60
MP40-AN-04B-60-SYM	Broadstairs-40W-LED-AC-4K-Std-M/Photocell-Black-60mm-SYM	LED	6,242	40	4K	Ra>70	220-240	5,742	144	9.0	Black	60
MP40-AN-04B-60-A/SYM	Broadstairs-40W-LED-AC-4K-Std-M/Photocell-Black-60mm-A/SYM	LED	6,242	40	4K	Ra>70	220-240	5,742	144	9.0	Black	60
MP40-AW-04B-60-SYM	Broadstairs-40W-LED-AC-3K-Std-M/Photocell-Black-60mm-SYM	LED	5,293	40	3K	Ra>70	220-240	4,869	122	9.0	Black	60
MP40-AW-04B-60-A/SYM	Broadstairs-40W-LED-AC-3K-Std-M/Photocell-Black-60mm-A/SYM	LED	5,293	40	3K	Ra>70	220-240	4,869	122	9.0	Black	60

Legend: **M/Photocell** = Mini Photocell. **SYM** = Symmetrical. **A/SYM** = Asymmetrical.
3K = Warm White (3000K). **4K** = Neutral White (4000K). **6K** = Cool White (6000K).

www.exteriorlights.co.uk

01689 606 342



V220615