

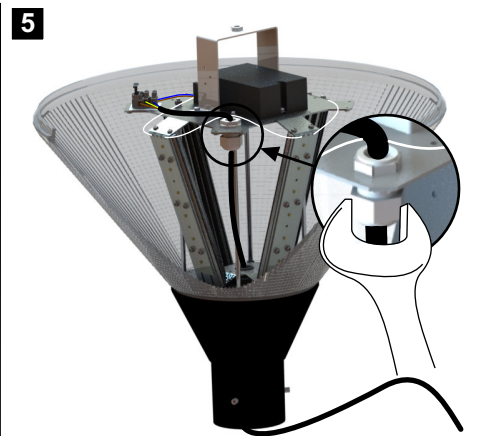
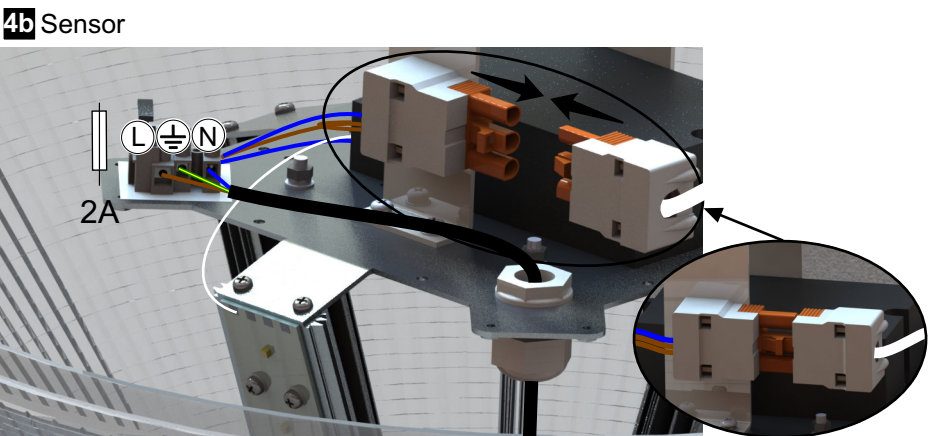
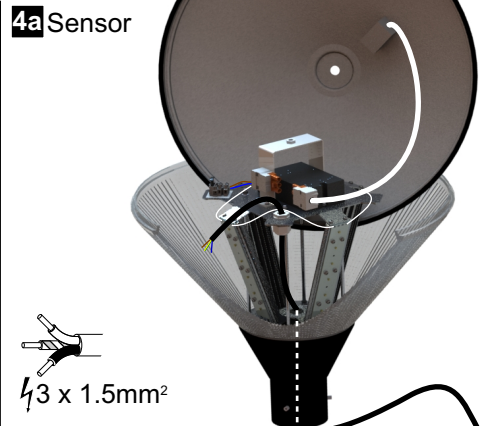
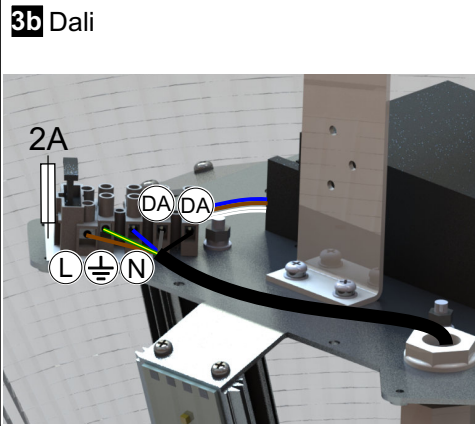
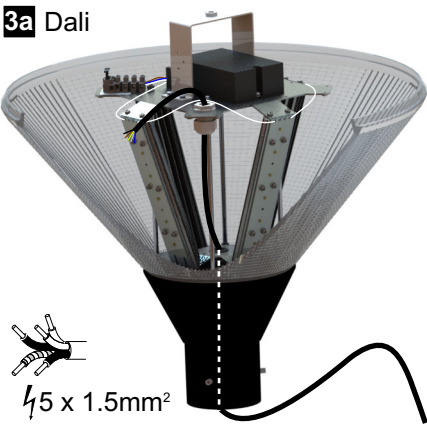
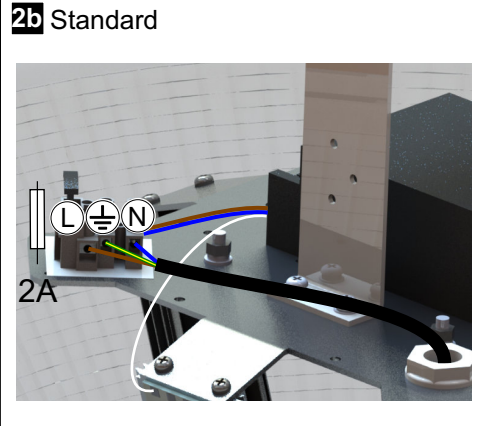
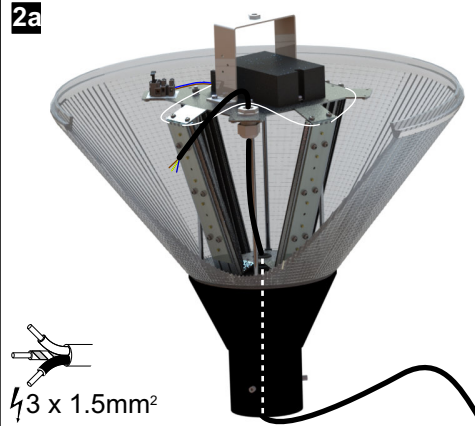
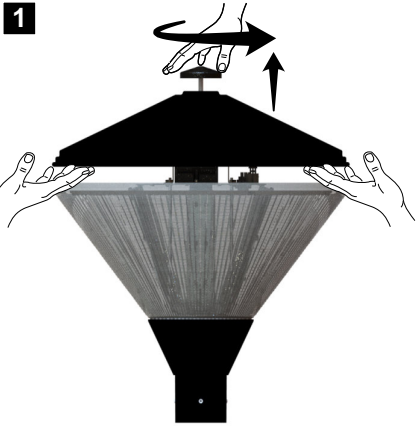
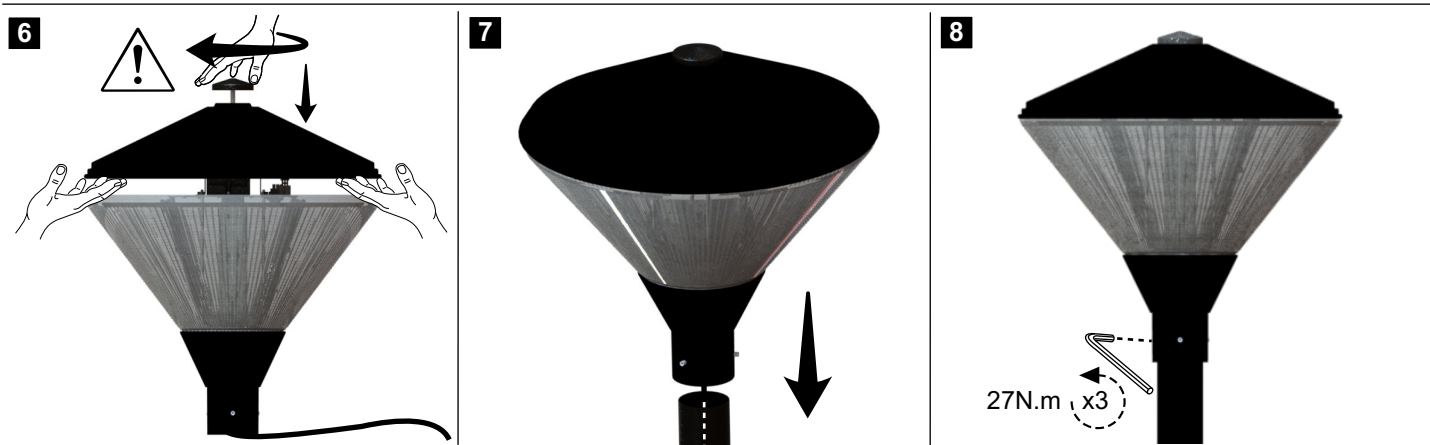




Power (W)	Standard 	DALI 	Mini P-Cell 	Nema 	Windage - Surface (m ²)
30	5.75	5.75	5.75	5.75	0.13m ²
45	5.75	5.75	5.75	5.75	0.13m ²
60	5.75	5.75	5.75	5.75	0.13m ²





Operation & Maintenance

Failed light source should be replaced promptly or the circuit switched off to avoid possible damage to control gear.

Important - Safety

Before carrying out any servicing on these luminaires, ensure that the mains supply is fully isolated.

Disconnect the luminaire before insulation testing of the installation.

Circuit Breaker Type	B10	B16	B25
B30 Standard Luminaire	14	28	40
B45 Standard Luminaire	10	21	30
B60 Standard Luminaire	7	14	20



The top cover can be tight fit to the diffuser, therefore care should be taken not to damage the luminaire.



The light source contained in this luminaire shall only be replaced by the manufacturer or his service agent or a similar qualified person.

