



Exterior Lights UK Ltd

The Hothfield 10W is an IP65 / IK10 rated LED bollard featuring a silver optical controller to ensure minimal upward glare and a symmetrical spread for an enhanced visual experience.

Manufactured from extruded die-cast aluminium and a transparent strong UV stabilised polycarbonate diffuser for high efficiency and vandal resistance.

Options available include bolt-on root, Dali, Mini Photocell and 3hr Emergency.



Hothfield 10W - LED Bollard

Bollard Lighting



Features

- LED rating 1,320lm (4000K & 6000K).
- LED rating 1,117lm (3000K).
- Luminaire flux 1,122lm (4000K & 6000K).
- Luminaire flux 949lm (3000K).
- 3000K (WW), 4000K (NW) and 6000K (CW) colour temperature options.
- -20 to +40°C operating temperature (Emergency 0 to +40°C).
- LED life span > 100,000hrs.
- Osram LED and Osram driver.
- Easy access to LED and driver via a removable head.
- Tamper proof fixings for increased vandal resistance.
- Fused main terminal block.
- 3 Year Warranty.

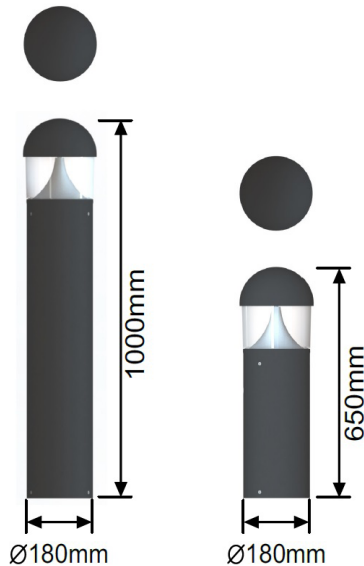
Applications

- Prestigious Grounds
- Walk Ways
- Car Parks
- Security
- Parks and Gardens
- Amenity Areas

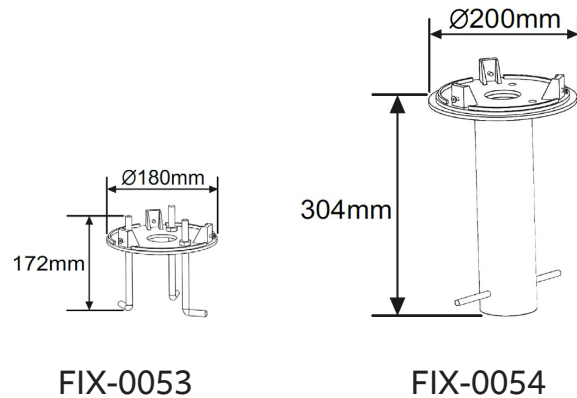
www.exteriorlights.co.uk

01689 606 342

Dimensions



Fixing Options



Specifications

Hothfield 10W

Item Number	Description	Light Source	LED Rating (lm)	Total Wattage (W)	Colour Name	CCT (K)	CRI	Voltage (VAC)	Driver Current (mA)	Luminaire Flux (lm)	Luminaire Efficacy (lm/W)	Kg	Height	Unit Colour	
Standard															
HV10-A1C-00-B	Hothfield-10W-LED-AC-6K-Std-Black	LED	1,320	10	CW	6K	Ra>70	220-240	175	1,122	112	6.4	1000mm	Black	
HV10-A1N-00-B	Hothfield-10W-LED-AC-4K-Std-Black	LED	1,320	10	NW	4K	Ra>70	220-240	175	1,122	112	6.4	1000mm	Black	
HV10-A1W-00-B	Hothfield-10W-LED-AC-3K-Std-Black	LED	1,117	10	WW	3K	Ra>80	220-240	175	949	95	6.4	1000mm	Black	
Standard - Emergency															
HV10-A1C-01-B	Hothfield-10W-LED-AC-6K-Std-E3-Black	LED	1,320	10	CW	6K	Ra>70	220-240	175	1,122	112	7.2	1000mm	Black	
HV10-A1N-01-B	Hothfield-10W-LED-AC-4K-Std-E3-Black	LED	1,320	10	NW	4K	Ra>70	220-240	175	1,122	112	7.2	1000mm	Black	
HV10-A1W-01-B	Hothfield-10W-LED-AC-3K-Std-E3-Black	LED	1,117	10	WW	3K	Ra>80	220-240	175	949	95	7.2	1000mm	Black	
Standard - Mini Photocell															
HV10-A1C-04-B	Hothfield-10W-LED-AC-6K-Std-M/Photocell-Black	LED	1,320	10	CW	6K	Ra>70	220-240	175	1,122	112	6.4	1000mm	Black	
HV10-A1N-04-B	Hothfield-10W-LED-AC-4K-Std-M/Photocell-Black	LED	1,320	10	NW	4K	Ra>70	220-240	175	1,122	112	6.4	1000mm	Black	
HV10-A1W-04-B	Hothfield-10W-LED-AC-3K-Std-M/Photocell-Black	LED	1,117	10	WW	3K	Ra>80	220-240	175	949	95	6.4	1000mm	Black	
Standard - Mini Photocell - Emergency															
HV10-A1C-10-B	Hothfield-10W-LED-AC-6K-Std-M/Photocel-E3-Black	LED	1,320	10	CW	6K	Ra>70	220-240	175	1,122	112	7.2	1000mm	Black	
HV10-A1N-10-B	Hothfield-10W-LED-AC-4K-Std-M/Photocel-E3-Black	LED	1,320	10	NW	4K	Ra>70	220-240	175	1,122	112	7.2	1000mm	Black	
HV10-A1W-10-B	Hothfield-10W-LED-AC-3K-Std-M/Photocel-E3-Black	LED	1,117	10	WW	3K	Ra>80	220-240	175	949	95	7.2	1000mm	Black	
Dali															
HV10-A1C-20-B	Hothfield-10W-LED-AC-6K-Dali-Black	LED	1,320	10	CW	6K	Ra>70	220-240	175	1,122	112	6.4	1000mm	Black	
HV10-A1N-20-B	Hothfield-10W-LED-AC-4K-Dali-Black	LED	1,320	10	NW	4K	Ra>70	220-240	175	1,122	112	6.4	1000mm	Black	
HV10-A1W-20-B	Hothfield-10W-LED-AC-3K-Dali-Black	LED	1,117	10	WW	3K	Ra>80	220-240	175	949	95	6.4	1000mm	Black	

Legend: **Std** = Standard. **M/Photocell** = Mini Photocell. **3K** = Warm White (3000K). **4K** = Neutral White (4000K). **6K** = Cool White (6000K). **WW** = Warm White. **NW** = Neutral White. **CW** = Cool White. Note: **Small 650mm Height Bollard (4.75Kg)** - Change HV10 to HVS10.

www.exteriorlights.co.uk
01689 606 342

