



The Hythe is a distinctive IP65 post top with a contemporary and elegant feel.

The Hythe's unique shape and appearance will be an impressive addition to any project that requires that something extra special.

Manufactured with a prismatic refactor for high uniformity and a coated black upper canopy to ensure a controlled distribution of light with minimal glare.

Options include Mini Photocell, Dali and spigot size.

Hythe 60W - LED Post Top

Amenity Lighting



Features

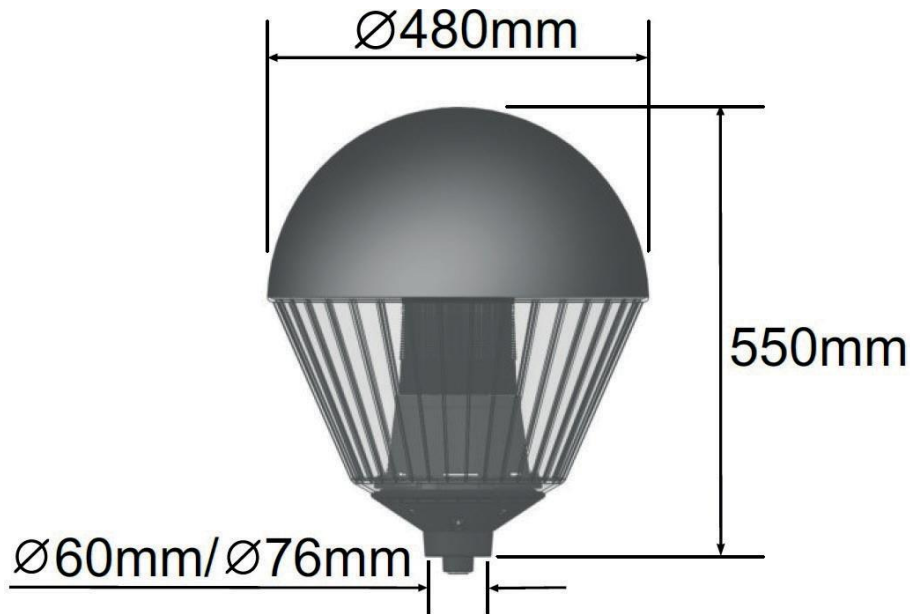
- LED rating 7,752lm (4000K & 6000K).
- LED rating 6,558lm (3000K).
- Luminaire flux 6,667lm (4000K & 6000K).
- Luminaire flux 5,640lm (3000K).
- 3000K (WW), 4000K (NW) and 6000K (CW) colour temperature options.
- Total wattage 60W.
- -20 to +40°C operating temperature.
- LED life span > 100,000hrs.
- Osram LED and Osram Driver.
- Easy access to LED and Driver via a removable head.
- Options include Mini Photocell, Dali and spigot size.
- Prismatic refactor & 2 coat reflective surface for high uniformity and minimal upward light.

Applications

- Car Parks
- Parks & Gardens
- Retail Parks
- Security
- Walk Ways
- Amenity Areas

www.exteriorlights.co.uk

01689 606342



Specifications

Hythe 60W

Item Number	Description	Light Source	LED Rating (lm)	Total Wattage (W)	CCT(K)	CRI	Voltage (VAC)	Driver Current (mA)	Luminaire Flux (lm)	Luminaire Efficacy (lm/W)	Kg	Unit Colour	Spigot Size (mm)
Standard - 76mm Spigot													
CG60-A7C-00B-76	Hythe-60W-LED-AC-6K-Std-Black-76mm	LED	7,752	60	6K	Ra>70	220-240	700	6,667	111	5	Black	76
CG60-A7N-00B-76	Hythe-60W-LED-AC-4K-Std-Black-76mm	LED	7,752	60	4K	Ra>70	220-240	700	6,667	111	5	Black	76
CG60-A7W-00B-76	Hythe-60W-LED-AC-3K-Std-Black-76mm	LED	6,558	60	3K	Ra>80	220-240	700	5,640	94	5	Black	76
Standard - 60mm Spigot													
CG60-A7C-00B-60	Hythe-60W-LED-AC-6K-Std-Black-60mm	LED	7,752	60	6K	Ra>70	220-240	700	6,667	111	5	Black	60
CG60-A7N-00B-60	Hythe-60W-LED-AC-4K-Std-Black-60mm	LED	7,752	60	4K	Ra>70	220-240	700	6,667	111	5	Black	60
CG60-A7W-00B-60	Hythe-60W-LED-AC-3K-Std-Black-60mm	LED	6,558	60	3K	Ra>80	220-240	700	5,640	94	5	Black	60
Standard - Mini Photocell - 76mm Spigot													
CG60-A7C-04B-76	Hythe-60W-LED-AC-6K-Std-M/Photocell-Black-76mm	LED	7,752	60	6K	Ra>70	220-240	700	6,667	111	5	Black	76
CG60-A7N-04B-76	Hythe-60W-LED-AC-4K-Std-M/Photocell-Black-76mm	LED	7,752	60	4K	Ra>70	220-240	700	6,667	111	5	Black	76
CG60-A7W-04B-76	Hythe-60W-LED-AC-3K-Std-M/Photocell-Black-76mm	LED	6,558	60	3K	Ra>80	220-240	700	5,640	94	5	Black	76
Standard - Mini Photocell - 60mm Spigot													
CG60-A7C-04B-60	Hythe-60W-LED-AC-6K-Std-M/Photocell-Black-60mm	LED	7,752	60	6K	Ra>70	220-240	700	6,667	111	5	Black	60
CG60-A7N-04B-60	Hythe-60W-LED-AC-4K-Std-M/Photocell-Black-60mm	LED	7,752	60	4K	Ra>70	220-240	700	6,667	111	5	Black	60
CG60-A7W-04B-60	Hythe-60W-LED-AC-3K-Std-M/Photocell-Black-60mm	LED	6,558	60	3K	Ra>80	220-240	700	5,640	94	5	Black	60

Specifications

Hythe 60W

Item Number	Description	Light Source	LED Rating (lm)	Total Wattage (W)	CCT ()	CRI	Voltage (VAC)	Driver Current (mA)	Luminaire Flux (lm)	Luminaire Efficacy (lm/W)	Kg	Unit Colour	Spigot Size (mm)
Dali - 76mm Spigot													
CG60-A7C-20B-76	Hythe-60W-LED-AC-6K-Dali-Black-76mm	LED	7,752	60	6K	Ra>70	220-240	700	6,667	111	5	Black	76
CG60-A7N-20B-76	Hythe-60W-LED-AC-4K-Dali-Black-76mm	LED	7,752	60	4K	Ra>70	220-240	700	6,667	111	5	Black	76
CG60-A7W-20B-76	Hythe-60W-LED-AC-3K-Dali-Black-76mm	LED	6,558	60	3K	Ra>80	220-240	700	5,640	94	5	Black	76
Dali - 60mm Spigot													
CG60-A7C-20B-60	Hythe-60W-LED-AC-6K-Dali-Black-60mm	LED	7,752	60	6K	Ra>70	220-240	700	6,667	111	5	Black	60
CG60-A7N-20B-60	Hythe-60W-LED-AC-4K-Dali-Black-60mm	LED	7,752	60	4K	Ra>70	220-240	700	6,667	111	5	Black	60
CG60-A7W-20B-60	Hythe-60W-LED-AC-3K-Dali-Black-60mm	LED	6,558	60	3K	Ra>80	220-240	700	5,640	94	5	Black	60

Legend: **M/Photocell** = Mini Photocell. **3K** = Warm White (3000K). **4K** = Neutral White (4000K). **6K** = Cool White (6000K). **WW** = Warm White. **NW** = Neutral White. **CW** = Cool White.

www.exteriorlights.co.uk
01689 606342

