



Exterior Lights UK Ltd

The Otford 20W is an IP65 / IK10 rated LED bollard featuring a silver optical controller to ensure minimal upward glare and a symmetrical spread for an enhanced visual experience.

Manufactured from extruded die-cast aluminium and a transparent strong UV stabilised polycarbonate diffuser for high efficiency and vandal resistance.

Options available include bolt-on root, Dali, Mini Photocell and 3hr Emergency.



Otford 20W - LED Bollard

Bollard Lighting



Features

- LED rating 2,640lm (4000K & 6000K).
- LED rating 2,233lm (3000K).
- Luminaire flux 2,249lm (4000K & 6000K).
- Luminaire flux 1,898lm (3000K).
- 3000K (WW), 4000K (NW) and 6000K (CW) colour temperature options.
- -20 to +40°C operating temperature (Emergency 0 to +40°C).
- LED life span > 100,000hrs.
- Osram LED and Osram driver.
- Easy access to LED and driver via a removable head.
- Tamper proof fixings for increased vandal resistance.
- Fused main terminal block.
- 3 Year Warranty.

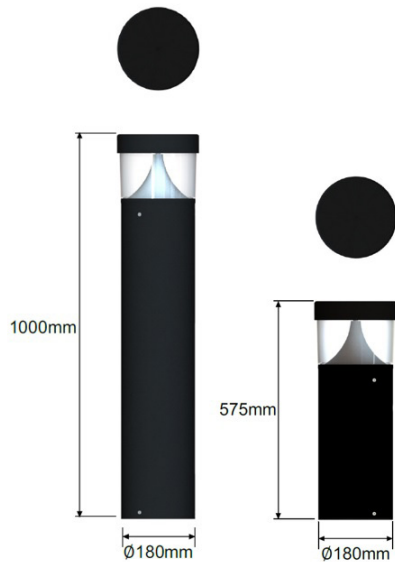
Applications

- Prestigious Grounds
- Walk Ways
- Car Parks
- Security
- Parks and Gardens
- Amenity Areas

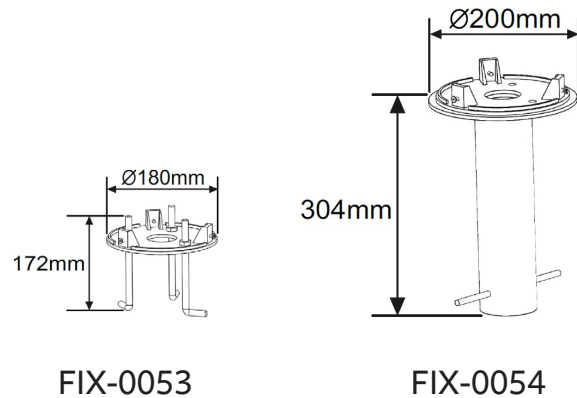
www.exteriorlights.co.uk

01689 606 342

Dimensions



Fixing Options



Specifications

Otford 20W

Item Number	Description	Light Source	LED Rating (lm)	Total Wattage (W)	Colour Name	CCT (K)	CRI	Voltage (VAC)	Driver Current (mA)	Luminaire Flux (lm)	Luminaire Efficacy (lm/W)	Kg	Height	Unit Colour	
Standard															
CB20-A3C-00-B	Otford-20W-LED-AC-6K-Std-Black	LED	2,640	20	CW	6K	Ra>70	220-240	350	2,249	112	6.4	1000mm	Black	
CB20-A3N-00-B	Otford-20W-LED-AC-4K-Std-Black	LED	2,640	20	NW	4K	Ra>70	220-240	350	2,249	112	6.4	1000mm	Black	
CB20-A3W-00-B	Otford-20W-LED-AC-3K-Std-Black	LED	2,233	20	WW	3K	Ra>80	220-240	350	1,898	95	6.4	1000mm	Black	
Standard - Emergency															
CB20-A3C-01-B	Otford-20W-LED-AC-6K-Std-E3-Black	LED	2,640	20	CW	6K	Ra>70	220-240	350	2,249	112	7.2	1000mm	Black	
CB20-A3N-01-B	Otford-20W-LED-AC-4K-Std-E3-Black	LED	2,640	20	NW	4K	Ra>70	220-240	350	2,249	112	7.2	1000mm	Black	
CB20-A3W-01-B	Otford-20W-LED-AC-3K-Std-E3-Black	LED	2,233	20	WW	3K	Ra>80	220-240	350	1,898	95	7.2	1000mm	Black	
Standard - Mini Photocell															
CB20-A3C-04-B	Otford-20W-LED-AC-6K-Std-M/Photocell-Black	LED	2,640	20	CW	6K	Ra>70	220-240	350	2,249	112	6.4	1000mm	Black	
CB20-A3N-04-B	Otford-20W-LED-AC-4K-Std-M/Photocell-Black	LED	2,640	20	NW	4K	Ra>70	220-240	350	2,249	112	6.4	1000mm	Black	
CB20-A3W-04-B	Otford-20W-LED-AC-3K-Std-M/Photocell-Black	LED	2,233	20	WW	3K	Ra>80	220-240	350	1,898	95	6.4	1000mm	Black	
Standard - Mini Photocell - Emergency															
CB20-A3C-10-B	Otford-20W-LED-AC-6K-Std-M/Photocel-E3-Black	LED	2,640	20	CW	6K	Ra>70	220-240	350	2,249	112	7.2	1000mm	Black	
CB20-A3N-10-B	Otford-20W-LED-AC-4K-Std-M/Photocel-E3-Black	LED	2,640	20	NW	4K	Ra>70	220-240	350	2,249	112	7.2	1000mm	Black	
CB20-A3W-10-B	Otford-20W-LED-AC-3K-Std-M/Photocel-E3-Black	LED	2,233	20	WW	3K	Ra>80	220-240	350	1,898	95	7.2	1000mm	Black	
Dali															
CB20-A3C-20-B	Otford-20W-LED-AC-6K-Dali-Black	LED	2,640	20	CW	6K	Ra>70	220-240	350	2,249	112	6.4	1000mm	Black	
CB20-A3N-20-B	Otford-20W-LED-AC-4K-Dali-Black	LED	2,640	20	NW	4K	Ra>70	220-240	350	2,249	112	6.4	1000mm	Black	
CB20-A3W-20-B	Otford-20W-LED-AC-3K-Dali-Black	LED	2,233	20	WW	3K	Ra>80	220-240	350	1,898	95	6.4	1000mm	Black	

Legend: **Std** = Standard. **M/Photocell** = Mini Photocell. **3K** = Warm White (3000K). **4K** = Neutral White (4000K). **6K** = Cool White (6000K). **WW** = Warm White. **NW** = Neutral White. **CW** = Cool White. Note: **Small 575mm Height Bollard (5Kg)** - Change CB20 to CBS20.

www.exteriorlights.co.uk
01689 606 342

