

100W Mains Dimmable LED Driver

Constant Voltage IP66 24VDC

INTALED

LDD-IP100/24(N)



Technical Specification

Order Code		LDD-IP100/24(N)
Output	Rated Power	100W
	Rated Current	4.17A
	Output Voltage	24V DC
	Voltage Tolerance	±0.5V
Input	Voltage Range	200~240VAC
	Frequency Range	47~63Hz
	Efficiency (Typ)	84%
	Power Factor	PF≥0.97/200-240VAC(Full loading)
	AC Current (Typ)	0.8A
Protection	Inrush Current (Max)	49.5A (50% I _{peak} Twidth=490μs) 230VAC
	Overload	≤ 120%
	Short circuit	Recovers automatically after condition is removed
Environment	Working Temp	-40~+60°C
	Working Humidity	20~90%RH, non-condensing
	Ingress Protection	IP66 waterproof
	Storage Temp / Humidity	-40~+80°C, 10~95%RH
Safety & EMC	Safety Standards (LVD)	EN61347-2-13:2014/A1:2017, EN61347-1:2015, EN 62493:2015, VDE 0710-14:1982
	Withstand Voltage	I/P-O/P:3.75KVAC
	Isolation Resistance	I/P-O/ P:100MΩ / 500VDC / 25°C / 70%RH
	EMC Emission and Immunity	EN 55015:2013/A1:2015, EN 61547:2009, EN 61000-3-2:2014, EN 61000-3-3:2013
Dimming	Dimming Type	PWM dimming, PWM frequency ~ 400Hz
	Minimum Load to achieve optimum dimming of 5-100%	10%, 10W
	Dimmer	Leading Edge and Trailing Edge
	Note	Consult the Derating Curve for load guidance.
Mechanical	Size	230x70x43mm (L×W×H)
	Weight	1.1Kg

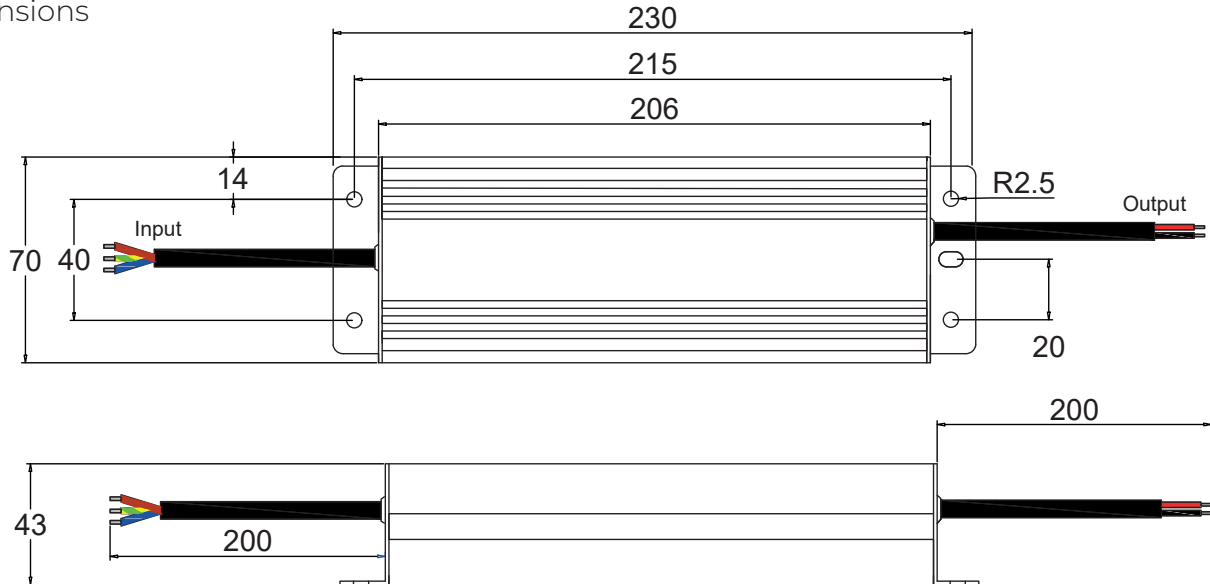
To calculate the maximum number of drivers per mcb the following calculation can be applied:
Number for drivers= I_{peak} (breaker)/ I_{surge} (driver).
Consult breaker manufacturer for guidance on circuit breakers for direct current applications.

100W Mains Dimmable LED Driver

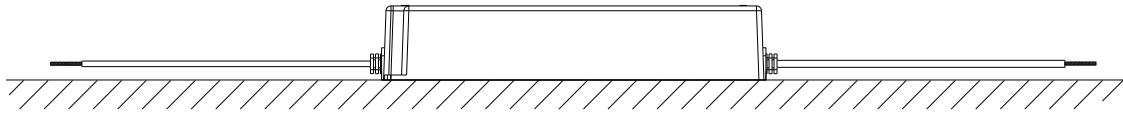
Constant Voltage IP66 24VDC

INTALED

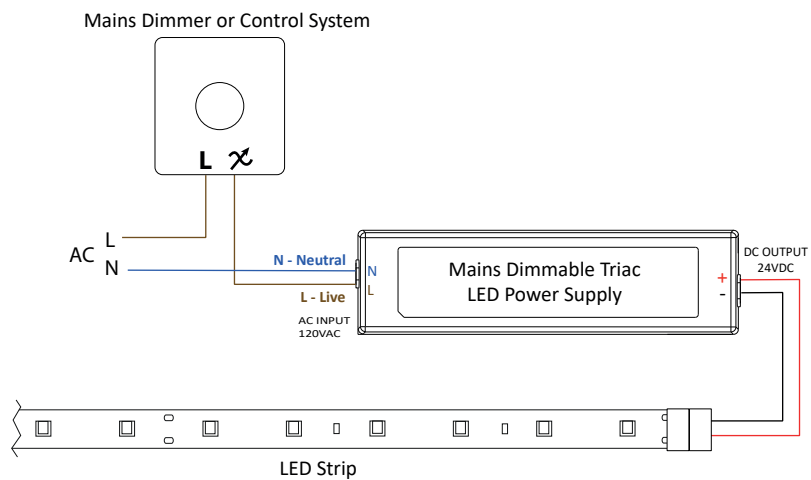
Dimensions



Recommended Mounting Position



Wiring diagram



100W Mains Dimmable LED Driver

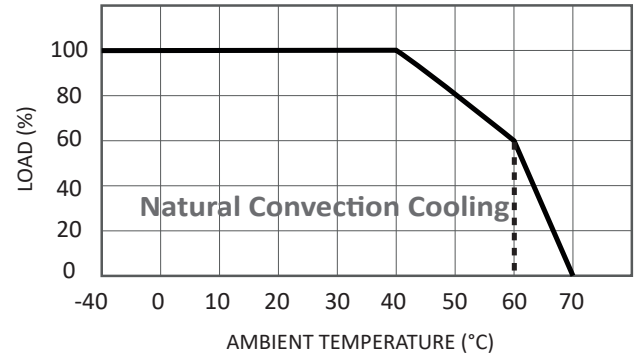
Constant Voltage IP66 24VDC

INTALED

Note

For compatibility of dimmable drivers with mains dimmers and home automation systems please refer to the compatibility chart on our website:
www.intalite.co.uk/dimmerscompatibility

Derating Curve



Guarantee:

All LED and electrical components carry a 5 year electrical guarantee, All lamps have their own average life span. We recommend all products are installed by NICEIC / registered electrical contractors, failure to do so will result in any guarantee becoming void.

Full Terms & Conditions:

For our full terms and conditions please visit our website - www.intalite.co.uk/terms-conditions

INTALITE UK
148 - 154 Merton High Street;
London, SW19 1AZ, UK
Tel: +44 (0)20 8542 1471
Fax: 0870 4211 763
www.intalite.co.uk
sales@intalite.co.uk



V001

www.intalite.co.uk