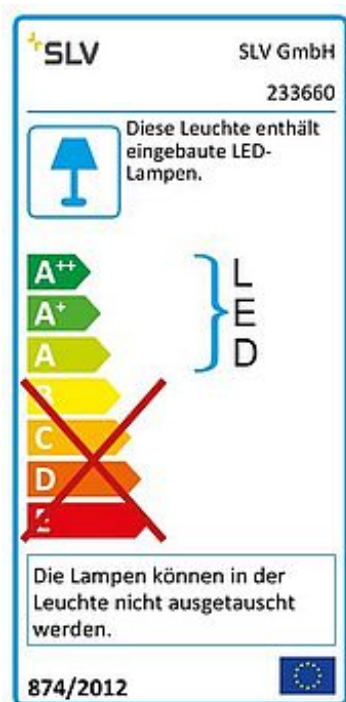


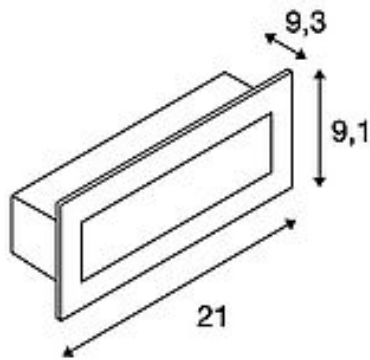


## BRICK

outdoor recessed wall light, LED, 3000K, stainless steel, 230V, IP67, 850lm, 10W

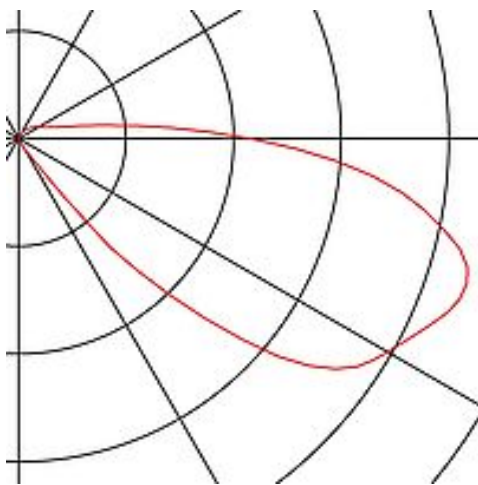
Article number	233660
Product family	BRICK
Feed-in capability	No
Lamp included	No
Installation length	19.6 cm
Installation width	8.5 cm
Installation depth	10.3 cm
Length	21 cm
Width	9.1 cm
Depth	9.3 cm
Net weight	1.756 kg
Gross weight	1.844 kg
Voltage	220-240V ~50/60Hz sec. 700mA
Protection class	I
IP-rating	IP 65
Average lifespan	25000 Hours
Colour temperature	3000 Kelvin
Colour rendering index	80
Luminous flux	850 lm
Energy efficiency class	A++
Way of mounting	Recessed mounted / Wall recessed
Colour	Stainless steel
Form	square
Light distribution type 1	direct
Material	Aluminium / Stainless steel 316L / Glass





#### Articles of this series

- 
- |        |  |
|--------|--|
| 229062 | BRICK DOWNUNDER, outdoor recessed wall light, C35, IP44, silver-grey, max. 40W |
|--------|--|
- 
- |        |  |
|--------|--|
| 229110 | BRICK MESH, outdoor recessed wall light, LED, 3000K, IP54, stainless steel, 4W |
|--------|--|
- 
- |        |  |
|--------|--|
| 229702 | BRICK DOWNUNDER, outdoor recessed wall light, LED, 3000K, IP54, rectangular, silver-grey |
|--------|--|
- 
- |        |  |
|--------|--|
| 233650 | BRICK, outdoor recessed wall light, LED, 3000K, stainless steel, IP67, 230V, 950lm 10W |
|--------|--|



With the BRICK LED recessed wall light, which is made of stainless steel and aluminium, the built-in LEDs are covered by a glass sheet. The built-in reflector means that the light is output asymmetrically. The functional luminaire is connected directly to the 230V mains supply. With IP65 protection class, the luminaire is suitable for outdoor use. A mounting pot is included in the delivery for simple assembly. This luminaire contains built-in LED lamps. EEL: A - A++. The lamps in the luminaire cannot be replaced.

#### Notes

---



---



---