

E9815WW15 - Titan15 LED Spotlight - 240v - 15w Warm White

Description

The E9818WW is an adjustable wall or spike-mount 240v LED spotlight with an aluminium body and glare shield powder-coated in black. It has a high-efficiency 15w COB led providing light output of 814lm in a focused 15 degree beam for Uplighting trees and focal points.



Electrical data	814lm, 15w warm white (3000K) built in, non-dimmable, LED
Colour/ Finish	Powder coated black aluminium body.
Exterior Dimensions	176mm x 133mm including bracket.

240v

IP65

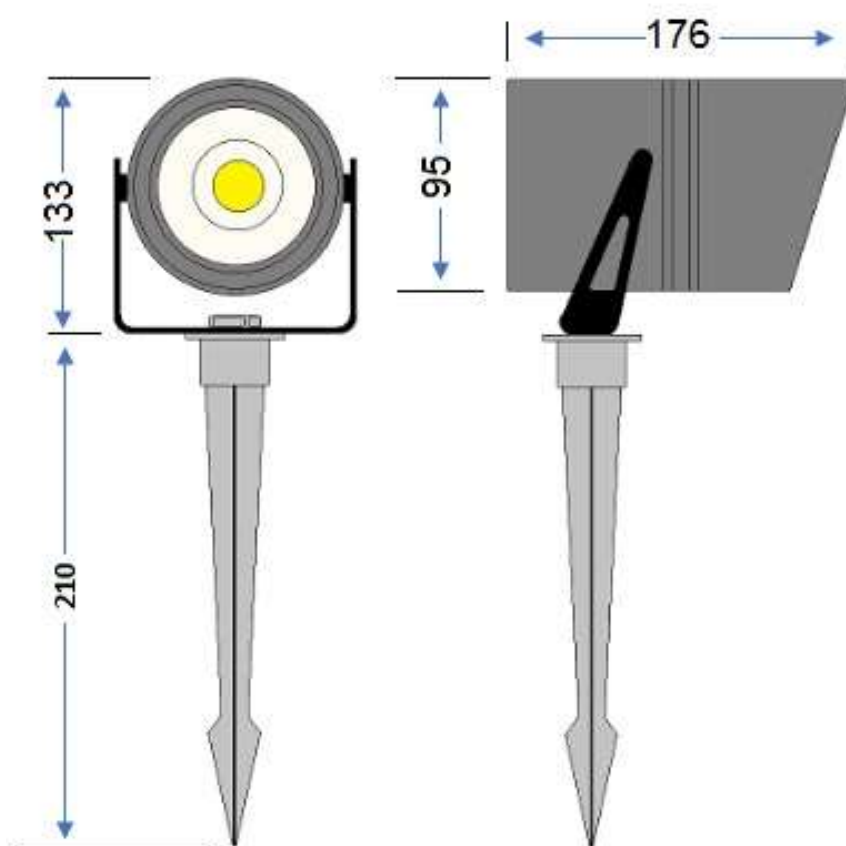
Built-in LED

Glare shield

Installation guidelines

Stirrup bracket mounts on walls or the ground spike supplied. A 2m 3 core 1mm H05RN-F input cable is provided for connection to the mains supply via a separate weatherproof junction box or underground joint kit (not supplied).

Using a single RCD for large numbers of 240v fittings is not recommended due to the risk of nuisance tripping. We advise the use of separate RCD protection for each circuit and a maximum of 12 fittings per RCD.



**2 YEAR
WARRANTY**

Exclusions: Damage by machinery, animals or the use of incorrect cleaning materials. Corrosion due to exposure to salt or chlorine. Damage due to incorrect installation practices. Responsibility for 3rd party cost; indirect or consequential loss