

ERW070-8A Lumex Wall Light 240v Grey

The ERW070-8A Lumex wall light is a sleek and contemporary wall light constructed in die-cast aluminium with a modern graphite grey powder coated finish.



PHYSICAL DATA

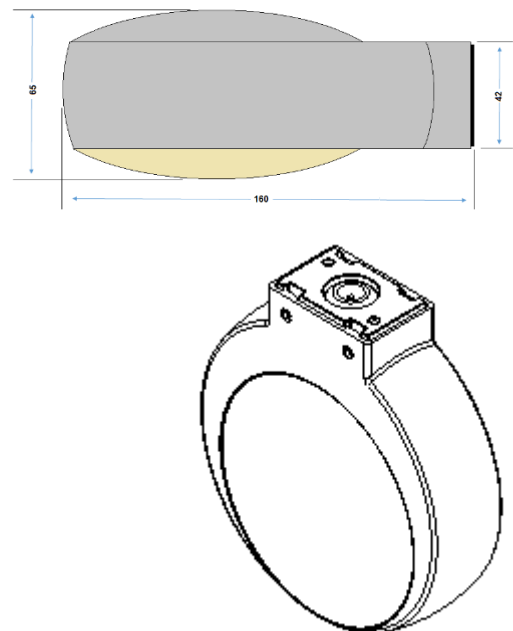
The IP54 rated Lumex wall light measures 160mm diameter x 65mm high and is constructed from die-cast aluminium. Illumination is provided by two 8 watt COB warm white LED behind a domed lens to give a defined 90° spread of light. The light is finished in a modern dark graphite grey powder coat finish

ELECTRICAL DATA

- 240v ac

INSTALLATION

Must be installed by a qualified electrician. Unscrew two grub-screws that secure the base plate. Mark the fixing holes and remove the base plate. Drill the fixing holes and insert the two wall fixings provided. Secure the base to the wall using supplied screws, making sure the two O-rings and washers are fitted. Feed the power cable through the grommet on the rear of the mounting base. The use of T9990 sealant is recommended for effective seal around the cable entry. Make the connection to the terminal block in the base of the lamp. Place the lamp over the base and secure using the two grub screws. **Using a single RCD for large numbers of 240v fittings is not recommended due to the risk of nuisance tripping. We advise the use of separate RCD protection for each circuit and a maximum of 12 fittings per RCD**



COMPLIANCE & WARRANTY

- 2 year warranty
- CE / RoHS Compliant