

GLMR16KIT5 - Elipta Lunar 5 LED Spot Kit

Lunar is a budget-priced adjustable IP68 spotlight with a plastic body and MR16 lampholder for use with a 3w led lamp. It has a clear lens, a 5m cable with IP44 Plug&Play connector and a clip-on glare shield for lighting small focal points, or for use as an underwater spotlight in fountains and waterfalls. This 5-spot kit comprises 5 spotlights, 5 Ground Mounting spikes, 5 MR16 3w warm white led lamps with a 36 degree beam angle, a 12va transformer rated to supply the 5 led lamps and a 5 way connector which fits to the transformer output and allows for connection of the five spotlight cables. As mounting requirements may vary, if you wish to use a mounting base, extension pole or a tube bracket to allow mounting on fountain head pipes please order separately. Lunar is designed for easy installation with the minimum of tools with the Patilo range of Plug&Play transformers, connectors, extension cables and junction boxes.



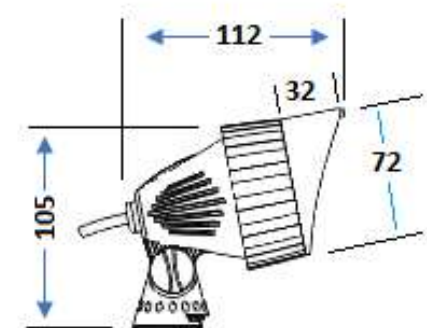
Electrical	12v AC Plug&Play MR16 3w LEDs
Construction	Plastic body with clip-on glare shield and adjustable knuckle joint. IP68 with IP44 cable connectors
Dimensions	112mm including 32mm glare shield with a 72mm diameter lens and 68mm tall
Kit contents	Five Lunar spotlights c/w glare shield & 5m cable with Plug&Play connector Five Ground Mounting Spikes Five MR16 3w warm white led lamps One 60va Plug&Play transformer rated to supply 5 x 3w led lamps One 5 way Plug&Play connector

IP68

Retrofit LED

12v MR16

5m input cable with male IP44 2-pin input connector to plug into a Plug&Play transformer, extension cable, connector or junction box: an IP68 connection may be achieved by using either the GLWJB IP68 junction box or GLWCC waterproof cable connector. Adjustable polycarbonate knuckle joint fits a range of mounting options including a spike, weighted base, extension pole and a tube bracket to allow mounting on fountain head pipes: order mount separately.



2 YEAR WARRANTY

Exclusions: Damage by machinery, animals or the use of incorrect cleaning materials.
Corrosion due to exposure to salt or chlorine.
Damage due to incorrect installation practices.
Responsibility for 3rd party cost; indirect or consequential loss.