

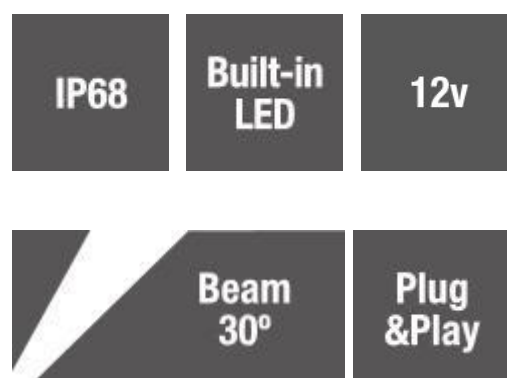
## GLWW18WS- Elipta Luxes - Warm White 12v 24w Underwater Spotlight with Clear Lens

### Description

Luxes is an adjustable led spotlight with a nickel-plated brass body and 9 x 2w 3000k warm white LEDs. It has a clear lens and provides a focused 30 degree beam for uplighting trees and focal points, or for use as an underwater spotlight in fountains and waterfalls. The ribbed body is designed to accept an optional clip-on glare shield and the adjustable polycarbonate knuckle joint fits a range of mounting options including a spike, weighted base, extension pole and a tube bracket to allow mounting on fountain head pipes: mount required must be ordered separately.

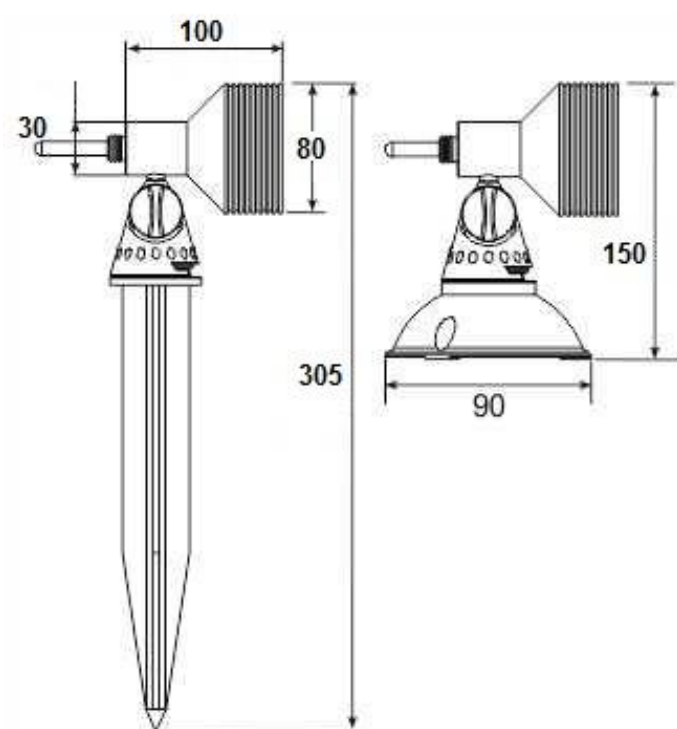


<b>Electrical</b>	Power consumption 24 watts. 12v 9 x 2w 3000k warm white. Built-in Cree LEDs. 750Lm 30° beam angle. IP68 with IP44 connectors.
<b>Colour/ Finish</b>	Nickel Plated Brass Body.
<b>Exterior Dimensions</b>	Body 100mm x 80mm dia. 150mm tall on GLMB mounting base.



### Installation guidelines

5m input cable with male IP44 2-pin input connector to plug into a Plug&Play transformer, extension cable, connector or junction box: an IP68 connection may be achieved by using either the GLWJB IP68 junction box or GLWCC IP68 waterproof cable connector. Adjustable polycarbonate knuckle joint fits a range of mounting options including a spike, weighted base, extension pole and a tube bracket to allow mounting on fountain head pipes.



**2 YEAR  
WARRANTY**

Exclusions: Damage by machinery, animals or the use of incorrect cleaning materials.  
Corrosion due to exposure to salt or chlorine.  
Damage due to incorrect installation practices.  
Responsibility for 3rd party cost; indirect or consequential loss