

## LC140B – Elipta PIR Sensor



### Installation guidelines

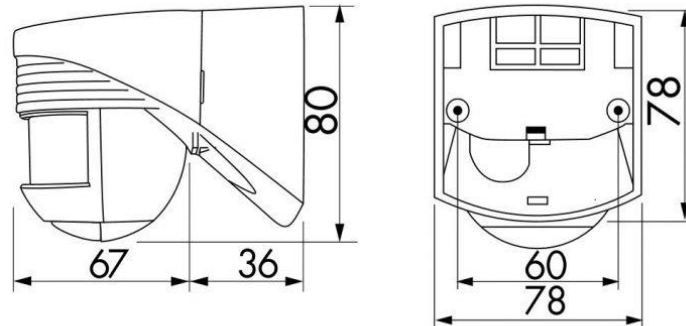
This PIR Sensor has a maximum 2000w load capacity and a 140° outward sensor detection zone, it also has an anti-creep zone that senses movement along the wall and below the PIR sensor.

The outward detection zone can detect movement at 12m away.

The PIR Sensor can be used with a wide range of Elipta lights, when used around driveways, Paths or as part of a functional, security lighting scheme.

Part code	LC140B
Dimensions (mm)	80x78x103
Construction	UV-resistant Polycarbonate
Light level setting	2 - 2000Lux
Hold time setting	4sec - 20mins
Manual Override	No
Insulation Class	Class II
Maximum mounting height	3 Metres
IP rating	IP54
Detection Area	140°
Anti-creep zone	180°
Maximum Load	Incandescent – 2000W CFL – 1000W LED – 200W
Input voltage	240V 50Hz
Net weight (g)	204
Gross weight (g)	256
Warranty	2 Years
Origin of manufacture	PRC

IP54



# 2 YEAR WARRANTY

Exclusions: Damage by machinery, animals or the use of incorrect cleaning materials. Corrosion due to exposure to salt or chlorine. Damage due to incorrect installation practices. Responsibility for 3rd party cost; indirect or consequential loss.