

Picture Touch Panel



Features

- Completely wireless
- Touch-glass over *your* background image
- Add up to 30 'touch buttons'
- Position buttons anywhere
- 3 button sizes
- Easy setup
- Standard 'AAA' batteries give long >2 years life.
- Flush or surface mount
- Landscape or Portrait

Part No. LS30400WTS

Description

The wireless picture touch-panel provides an easily customised user-interface to Light Symphony. Like an ordinary picture frame; simply place your own photo, design or artwork behind the glass to create an intuitive, bespoke, wall-mounted, control centre.

By holding your finger on the glass you can create touch-buttons where you want them. Hang it on the wall or flush-mount it using the optional wall-box for the ultimate wow factor.

Download the Microsoft Word[®] template from our web-site to simplify creating the background image. Its 1000 meter range provides a robust link to the garden or base station repeater.

Specification

Controls	-	Up to 30 user-programmable touch buttons
Range	-	1000 metre wireless range line-of-site
Enclosure	-	IP40 (Indoor) wall-mountable unit Touch-glass in brushed aluminium frame
Size	-	265 x 210 x 20mm
RF	-	434.075MHz Narrow Band FM
Coding	-	Security channels 1–16
Power	-	2x AAA batteries
CE Compliance	-	EN220-300 EN 50081–1 EN 50082–1



Application Example

1. Add your picture / artwork...



2. Teach the touch-buttons...



4. Lighting Control Modules respond



3. Touch to use...



How to use it

After placing your photo, image or artwork behind the glass, turn the touch-panel over to reveal the small controller on the rear. The LCD display steps you through teaching new touch-buttons and their function; Garden On/Off, Area 1 On/Off, Dim Up/Down etc. Add up to 30 small, medium or large buttons in any position.

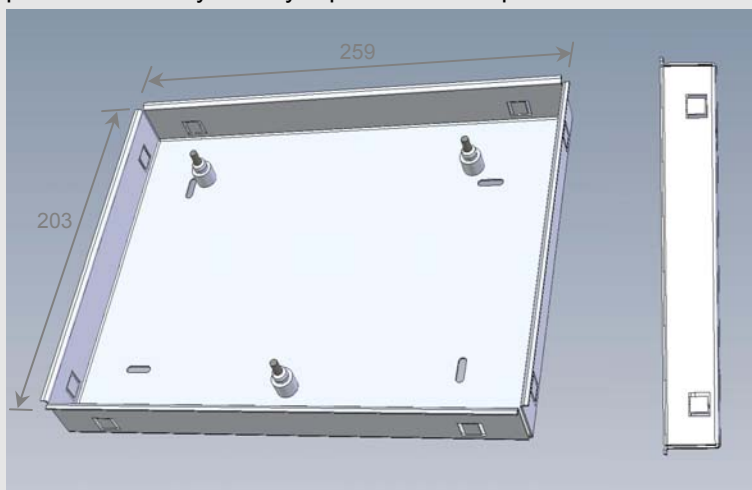
Next, simply hang it on the wall and it's ready for action! When a touch-button is pressed the unit sends a wireless command, which the outdoor Lighting Control Modules hear and respond to.

If a base-station is installed, it also hears the command and re-transmits it, thereby increasing the range and reliability.

Accessories

Flush Mount Wall Box

Galvanised box suitable for plaster board fixing using the bend-out tabs or masonry fixing. Touch-panel is depth adjustable and push-fits for easy battery replacement. Depth 25mm



Part No. LS30410TSB