

Albany Premium Solar Spotlight



Ensure your solar panel is South facing or as near as possible



Clean your solar panel from time to time



Do **NOT** place your solar panel in shaded areas.



Do **NOT** charge behind glass

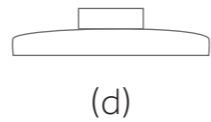
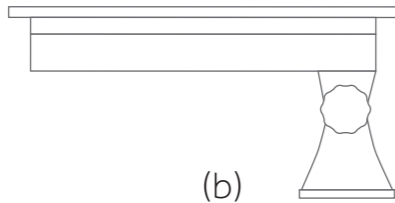
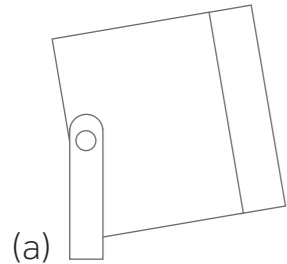
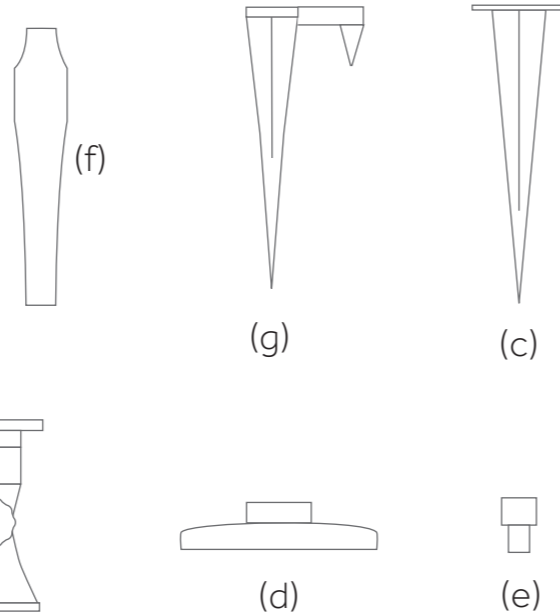
PLEASE CHARGE YOUR LIGHT FOR 3 DAYS BEFORE FIRST USE

User Guide

Thank you for choosing The Solar Albany Premium Solar Spotlight. Please read these instructions carefully before using your light.

Box Contents:

- | | |
|-----------------------------------|---------------------------|
| 1 x Light head with U bracket (a) | 1 x Post for panel (f) |
| 1 x Solar Panel with cable (b) | 1 x plastic stake (g) |
| 1 x Metal stake (c) | 4 x screws and wall plugs |
| 1 x Disc bracket (d) | 1 x large allen key |
| 1 x Mounting Bolt (e) | 1 x small allen key |



How it Works:

In the daytime the solar panel absorbs sunlight which charges the batteries. At night, with the switch set to on, the light will turn on automatically at dusk and turn off automatically at dawn. With the switch set to off the unit will not operate.

Installing Your Light:

When positioning your light think about trying to avoid locations where sunlight reaching the solar panel is obstructed by trees, foliage, buildings, fences or the shadows these create. A sunny south facing location for the solar panel is always ideal.

Stake / Spike Installation

1. Attach U bracket to stake using the mounting bolt and tighten with large allen key.
2. Push stake into ground, taking care not to bend U bracket
3. Attach light to U bracket by hand tightening the bolts on either side of light head.
4. Once lighththead is adjusted to desired lighting position tighten the two bolts with the small allen key.

Wall / Deck / Path Installation

1. Attach disc bracket to wall using supplied screws and wall plugs.
2. Attach U bracket to disc bracket using the mounting bolt and tighten with large allen key.
3. Attach light to U bracket by hand tightening the bolts on either side of light head.
4. Once lighththead is adjusted to desired lighting position tighten the two bolts with the small allen key.

Connecting the Solar Panel

Install the solar panel and adjust the tilt angle of the solar panel to ensure it collects as much sun as possible.

Turn the switch to on by pressing the power button on the underside of the solar panel. The light will then turn on at dusk. To check if the light is on during the day, cover the panel to simulate night time.

Please note a poorly positioned panel will stop the light illuminating for long after dark.

Changing the Batteries:

The batteries should last for up to 2 years.

- 1: Remove the screws on the underside of the solar panel.
- 2: Remove the underside.
- 3: Remove and recycle the batteries and replace with 3 x 1.2V AA rechargeable Ni-MH batteries.

Troubleshooting:

1: The light is dim or flashes

Batteries are not fully charged or may need replacing.

The solar panel needs bright light to recharge the batteries. Consecutive days of overcast weather may cause the batteries to lose power. If this happens the solar panel will recharge the batteries on the next bright day.

Check your solar panel is in an area where it gets the maximum amount of direct light every day.

Check for things obstructing light reaching the solar panel like over hanging branches, fences or buildings. If there are obstructions move the unit to a location that receives better light throughout the day.

Check the solar panel is clean. A dirty solar panel will not let the batteries charge fully. This will shorten the life of the batteries and stop the light operating. Clean the solar panel regularly with damp cloth.

2: The light won't turn on

Check for an external light source like a street light or porch light, this may be stopping the light sensor from knowing when it is dark. Move the panel away from the external light source.

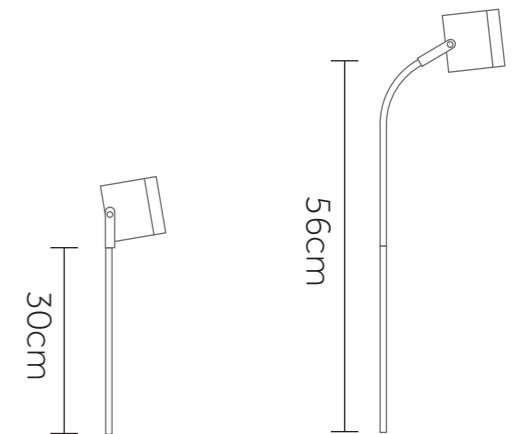
Rechargeable batteries may need charging, overcast weather could have prevented the batteries from recharging. Check to see if it works after the next sunny day.

Recharge Procedure

Please follow the recharge procedure if the batteries in your Albany Premium Solar Spotlight run flat. Please turn off your Albany Premium Solar Spotlight using the switch on the underside of the solar panel unit and place it outside in a sunlit location for 5 days to gain a base charge. Ensure that the light hitting the solar panel is not obstructed in anyway. This is particularly important in winter when the days are shorter and the sun is lower in the sky and less powerful. Please note that your Albany Premium Solar Spotlight will not charge behind glass.

Sold Separately

Create new lighting effects with a matching aluminium pole. The pole can either be spiked into the ground or screwed down when used in conjunction with the disc bracket.



www.thesolarcentre.co.uk



Made in China to Solar Centre Specification

Exterior
making solar that works

Lights

UK