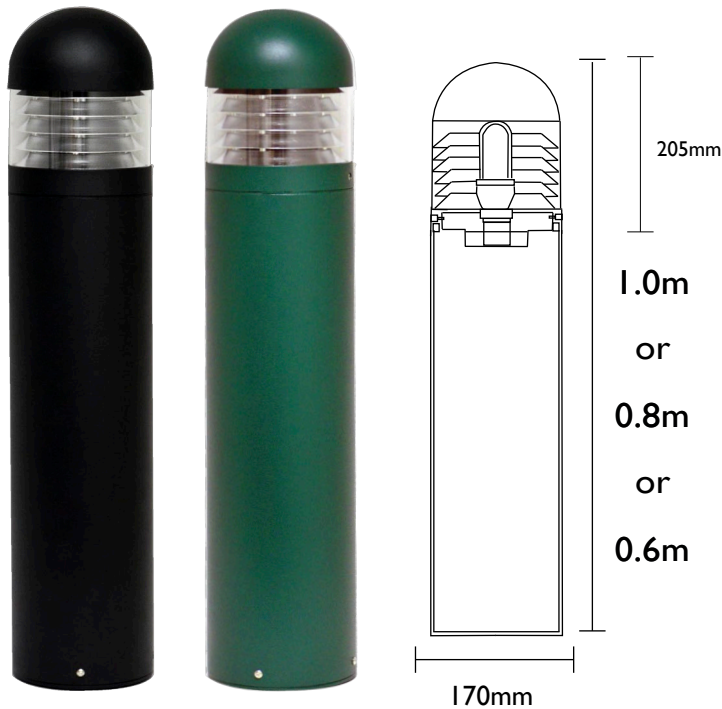
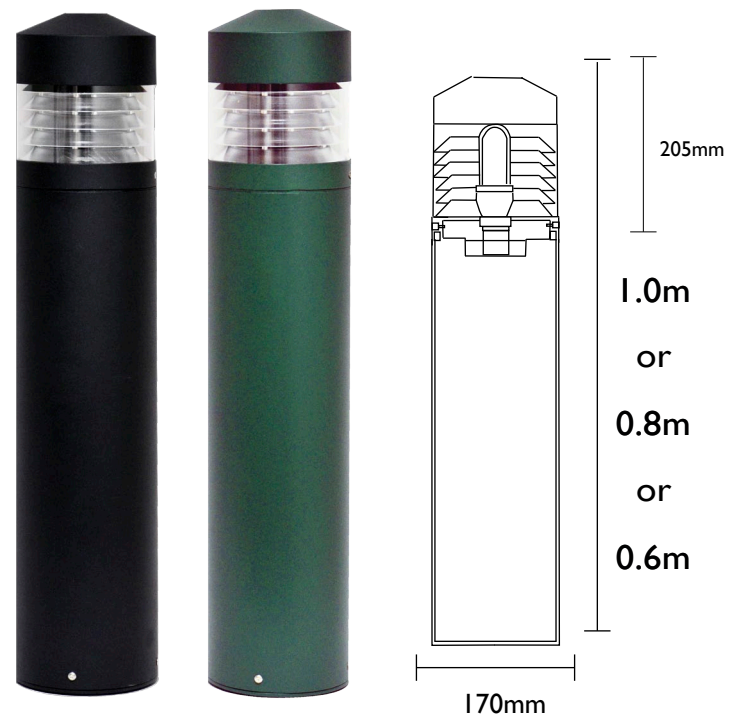




● Domed Lighthouse



● Pillar Lighthouse



● 3 Height Options - Black or Green

0.6m - LLDL60 0.8m - LLDL80 1.0m - LLDL100

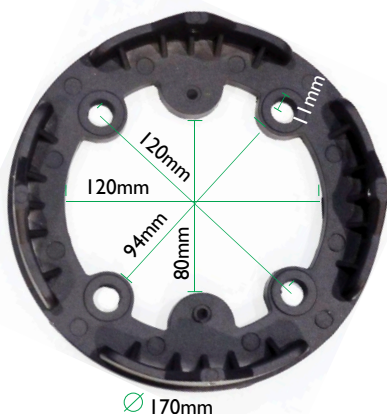
● 3 Height Options - Black or Green

0.6m - LLPL60 0.8m - LLPL80 1.0m - LLPL100

● SPECIFICATIONS & INFORMATION

- Materials: Aluminium / Polycarbonate • Voltage: 240v • IP Rating: IP65 • Bulb Holder: ES / E27
- Max Wattage: 70w • Internal Surface Mount (Standard) • Three Heights: 0.6m, 0.8m, or 1.0m
- Two Styles of Head: Dome or Pillar • Wall Thickness of 2.5mm • Graphite Black or Garden Green
- LED Compatible • Full Photometric Data Available • 7 Year Guarantee • Spares and Accessories
- Professional Tubular Root Mounts Available - Approx. 40cm Longer than Standard
- Anchor Bar • Pin Hex Security Screws

- Robust Internal Surface Mount
Suitable for J-Bolts, Anchor Bolts etc.



● PHOTOCELL (Optional)

- Voltage: 240v
- Switch On / Off at 30 / 80 Lux
- 1500VA or 5A Inductive load at 6MFD
- Double Insulated (Do not connect to earth)
- 20mm Diameter

