

Pro Bollard Lighting

Exterior Lights Ltd.

STELLED® IN-GROUND PROFESSIONAL ROOT MOUNT

LSTEL80-RM - 99cm Tube (for 0.8m Bollards) / LSTEL100-RM - 119cm Tube (for 1.0m Bollards)

INPUT: 220-240v - 50Hz

MAX WATTAGE: 60w

PROTECTION: Class I

IP65

BULB HOLDER: ES/E27

MATERIALS: MARINE GRADE (316) STAINLESS STEEL - 3mm THICK



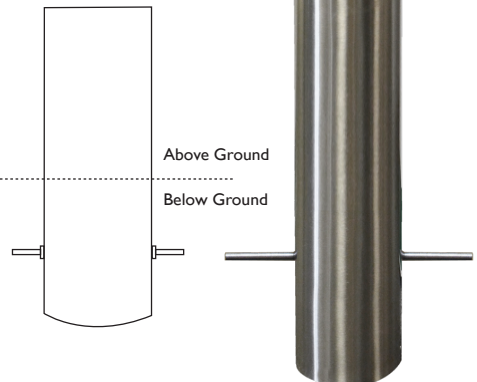
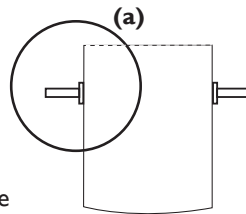
Always switch off mains supply prior to installation

Included:

- 1 x Root Mount Tube
- 1 x Bulb Holder / Connection Box
- 1 x Anchor Bar & 2 x Nuts
- 4mm Allen Key

Installation:

- Insert anchor bar through the tubular body via the pre drilled holes approx. 200mm from the base and secure in place with the 2 x locking nuts (a).
- Select a suitable mounting position and dig an installation hole sufficient to accommodate at least 40cm of the length of the bollard and the width of the anchor bar.
- Ensure enough cable is in place to reach the connection box at the top of the bollard, plus 30cm extra for ease of wiring.
- Position bollard in place pulling the cable up through the centre and concrete the surrounding area to secure in place.
- Leave to set.



See Main Instructions for Additional Safety Information, Wiring and Re-assembly Instructions

www.exteriorlightsuk.co.uk