

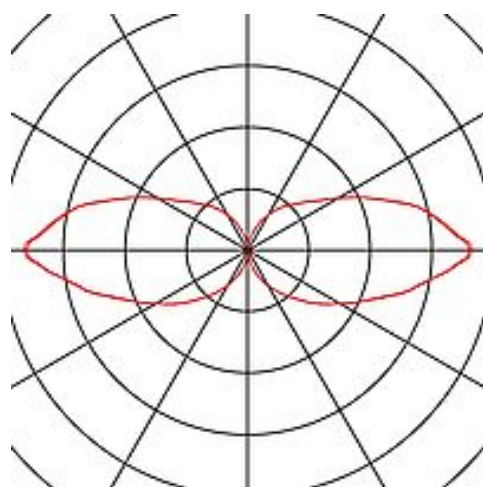
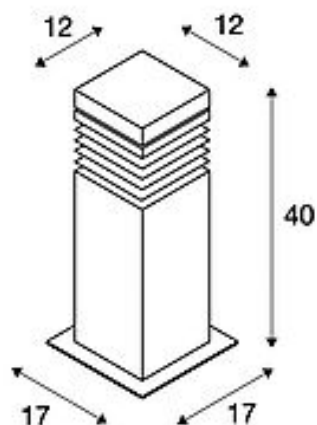
## ARROCK GRANITE

outdoor floor stand, TC-(D,H,T,Q)SE, IP44 , square, salt & pepper, granite, L/W/H 12/12/40 cm, max. 15W,




Article number	231410
Feed-in capability	No
Lampholder / Socket	E27
Number of light sources	1
Lamp included	No
Length	12 cm
Width	12 cm
Height	40 cm
Net weight	11.07 kg
Gross weight	11.816 kg
Voltage	220-240V ~50/60Hz
Max. wattage	15 Watt
Protection class	I
IP-rating	IP 44
Energy efficiency class	A++
Colour	salt&pepper
Form	square
Light distribution type 1	direct - indirect
Light distribution type 2	symmetric
Material	Stainless steel 304 / Granite





#### Articles of this series

- 
- |        |   |
|--------|---|
| 231370 | ARROCK STONE, outdoor floor stand, LED, 3000K, square, stone-grey, L/W/H 12/12/50 cm, max. 6W |
|--------|---|
- 
- |        |   |
|--------|---|
| 231371 | ARROCK STONE, outdoor floor stand, LED, 3000K, square, stone-grey, L/W/H 12/12/75 cm, max. 6W |
|--------|---|
- 
- |        |  |
|--------|--|
| 231400 | ARROCK SAND, outdoor floor stand, TC-(D,H,T,Q)SE, IP44, square, sandstone, L/W/H 12/12/40 cm, max. 15W |
|--------|--|
- 
- |        |  |
|--------|--|
| 231431 | ARROCK GRANITE, outdoor floor stand, TC-(D,H,T,Q)SE, IP44, round, salt & pepper, granite, Ø/H 12/70 cm, max. 15W |
|--------|--|
- 
- |        |  |
|--------|--|
| 231401 | ARROCK SAND, outdoor floor stand, TC-(D,H,T,Q)SE, IP44, square, sandstone, L/W/H 12/12/70 cm, max. 15W |
|--------|--|
- 
- |        |  |
|--------|--|
| 231411 | ARROCK GRANITE, outdoor floor stand, TC-(D,H,T,Q)SE, square, granite, salt & pepper, L/W/H 12/12/70 cm, max. 15W |
|--------|--|
- 
- |        |  |
|--------|--|
| 231440 | ARROCK SLOT, outdoor floor stand, LED GU10 51 mm, IP44, square, salt & pepper, granite, 4W LED |
|--------|--|
- 
- |        |  |
|--------|--|
| 231430 | ARROCK GRANITE, outdoor floor stand, TC-(D,H,T,Q)SE, IP44, round, salt & pepper, granite, Ø/H 12/40 cm, max. 15W |
|--------|--|

The floor luminaire ARROCK GRANITE consists of the natural product granite and is available in two different heights. Due to the special choice of material each lamp is unique. With protection class IP44, it is suitable for outdoor use. As an option an earth spike as well as a connection box for safe electrical connection to the rectangular luminaire upright, are available. The connection of the two versions available is made to the 230V mains supply. This luminaire is compatible with bulbs of the energy classes: A - A+

#### Notes

---



---



---