



Exterior Lights UK Ltd



The Wadhurst 80W is a high performance IP65/IP66 rated street light optimised for high uniformity and maximum spacing's between columns.

Manufactured with anti-corrosion die cast aluminium, stainless steel fixings and featuring high impact glass for additional protection.

Complete with adjustable spigot for side or column top entry, and 15M of cable for a quick installation.

Options include Nema socket, Dali Driver, LED colour temperature, and spigot size.

Wadhurst 80W - LED Street Light

Street Lighting



Features

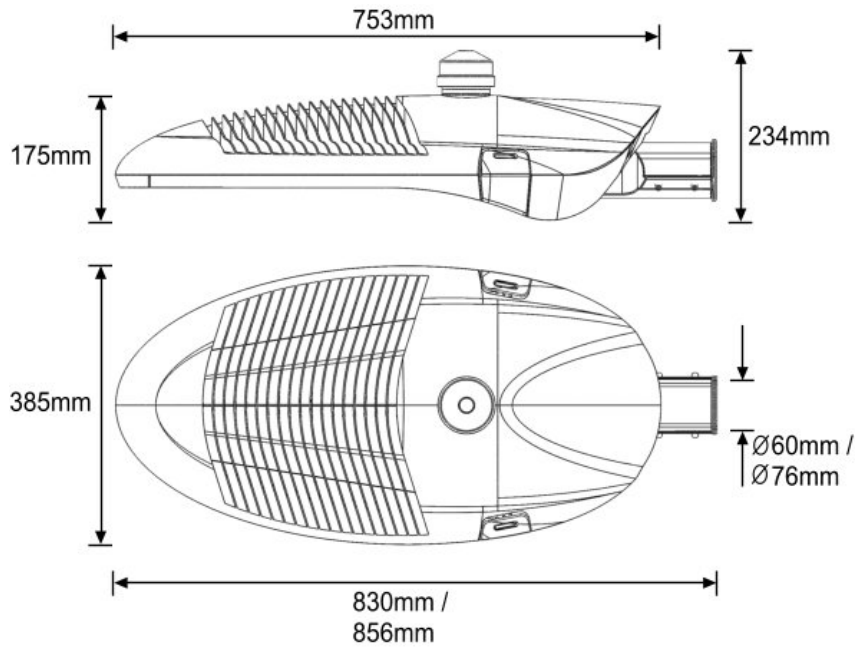
- LED rating 11,584lm (4000K & 6000K).
- LED rating 9,800lm (3000K).
- Luminaire flux 10,194lm (4000K & 6000K).
- Luminaire flux 8,624lm (3000K).
- 3000K (WW), 4000K (NW) and 6000K (CW) colour temperature options.
- -20 to +40°C operating temperature.
- LED Life span > 100,000hrs.
- Osram LED and Osram Driver.
- Post-top or side-entry, 60/76mm spigot options.
- Anti-corrosion die cast aluminium.
- Corrosion resistant polyester powder coating.
- Optimised optics for high uniformity and maximum spacing's between columns.
- Future proof design.

Applications

- Roads
- Residential
- Railway Stations
- Shopping Precincts
- Parks & Gardens
- Security

www.exteriorlights.co.uk

01689 606 342



Specifications

Wadhurst 80W

Item Number	Description	Light Source	LED Rating (lm)	Total Wattage(W)	Colour Name	CCT (K)	CRI	Voltage (VAC)	Drive Current	Luminaire Flux (lm)	Luminaire Efficacy (lm/W)	Kg	Unit Colour	Spigot Size (mm)	
Standard-Grey-6K															
CQ80-A4C-00G-60	Wadhurst-80W-LED-AC-6K-Std-Grey-60mm	LED	11,584	80	CW	6K	Ra>70	220-240	410	10,194	127	14	Grey	60	
CQ80-A4C-00G-76	Wadhurst-80W-LED-AC-6K-Std-Grey-76mm	LED	11,584	80	CW	6K	Ra>70	220-240	410	10,194	127	14	Grey	76	
Standard-Grey-4K															
CQ80-A4N-00G-60	Wadhurst-80W-LED-AC-4K-Std-Grey-60mm	LED	11,584	80	NW	4K	Ra>70	220-240	410	10,194	127	14	Grey	60	
CQ80-A4N-00G-76	Wadhurst-80W-LED-AC-4K-Std-Grey-76mm	LED	11,584	80	NW	4K	Ra>70	220-240	410	10,194	127	14	Grey	76	
Standard-Grey-3K															
CQ80-A4W-00G-60	Wadhurst-80W-LED-AC-3K-Std-Grey-60mm	LED	9,800	80	WW	3K	Ra>80	220-240	410	8,624	108	14	Grey	60	
CQ80-A4W-00G-76	Wadhurst-80W-LED-AC-3K-Std-Grey-76mm	LED	9,800	80	WW	3K	Ra>80	220-240	410	8,624	108	14	Grey	76	
Standard-Grey-NemaSocket-6K															
CQ80-A4C-06G-60	Wadhurst-80W-LED-AC-6K-Std-NemaSocket-Grey-60mm	LED	11,584	80	CW	6K	Ra>70	220-240	410	10,194	127	14.25	Grey	60	
CQ80-A4C-06G-76	Wadhurst-80W-LED-AC-6K-Std-NemaSocket-Grey-76mm	LED	11,584	80	CW	6K	Ra>70	220-240	410	10,194	127	14.25	Grey	76	
Standard-Grey-NemaSocket-4K															
CQ80-A4N-06G-60	Wadhurst-80W-LED-AC-4K-Std-NemaSocket-Grey-60mm	LED	11,584	80	NW	4K	Ra>70	220-240	410	10,194	127	14.25	Grey	60	
CQ80-A4N-06G-76	Wadhurst-80W-LED-AC-4K-Std-NemaSocket-Grey-76mm	LED	11,584	80	NW	4K	Ra>70	220-240	410	10,194	127	14.25	Grey	76	
Standard-Grey-NemaSocket-3K															
CQ80-A4W-06G-60	Wadhurst-80W-LED-AC-3K-Std-NemaSocket-Grey-60mm	LED	9,800	80	WW	3K	Ra>80	220-240	410	8,624	108	14.25	Grey	60	
CQ80-A4W-06G-76	Wadhurst-80W-LED-AC-3K-Std-NemaSocket-Grey-76mm	LED	9,800	80	WW	3K	Ra>80	220-240	410	8,624	108	14.25	Grey	76	
Dali-Grey-6K															
CQ80-A4C-20G-60	Wadhurst-80W-LED-AC-6K-Dali-Grey-60mm	LED	11,584	80	CW	6K	Ra>70	220-240	410	10,194	127	14	Grey	60	
CQ80-A4C-20G-76	Wadhurst-80W-LED-AC-6K-Dali-Grey-76mm	LED	11,584	80	CW	6K	Ra>70	220-240	410	10,194	127	14	Grey	76	

Specifications

Wadhurst 80W

Item Number	Description	Light Source	LED Rating (lm)	Total Wattage (W)	Colour Name	CCT (K)	CRI	Voltage (VAC)	Drive Current	Luminaire Flux (lm)	Luminaire Efficacy (lm/W)	Kg	Unit Colour	Spigot Size (mm)
Dali-Grey-4K														
CQ80-A4N-20G-60	Wadhurst-80W-LED-AC-4K-Dali-Grey-60mm	LED	11,584	80	NW	4K	Ra>70	220-240	410	10,194	127	14	Grey	60
CQ80-A4N-20G-76	Wadhurst-80W-LED-AC-4K-Dali-Grey-76mm	LED	11,584	80	NW	4K	Ra>70	220-240	410	10,194	127	14	Grey	76
Dali-Grey-3K														
CQ80-A4W-20G-60	Wadhurst-80W-LED-AC-3K-Dali-Grey-60mm	LED	9,800	80	WW	3K	Ra>80	220-240	410	8,624	108	14	Grey	60
CQ80-A4W-20G-76	Wadhurst-80W-LED-AC-3K-Dali-Grey-76mm	LED	9,800	80	WW	3K	Ra>80	220-240	410	8,624	108	14	Grey	76
Dali-Grey-NemaSocket-6K														
CQ80-A4C-26G-60	Wadhurst-80W-LED-AC-6K-Dali-NemaSocket-Grey-60mm	LED	11,584	80	CW	6K	Ra>70	220-240	410	10,194	127	14.25	Grey	60
CQ80-A4C-26G-76	Wadhurst-80W-LED-AC-6K-Dali-NemaSocket-Grey-76mm	LED	11,584	80	CW	6K	Ra>70	220-240	410	10,194	127	14.25	Grey	76
Dali-Grey-NemaSocket-4K														
CQ80-A4N-26G-60	Wadhurst-80W-LED-AC-4K-Dali-NemaSocket-Grey-60mm	LED	11,584	80	NW	4K	Ra>70	220-240	410	10,194	127	14.25	Grey	60
CQ80-A4N-26G-76	Wadhurst-80W-LED-AC-4K-Dali-NemaSocket-Grey-76mm	LED	11,584	80	NW	4K	Ra>70	220-240	410	10,194	127	14.25	Grey	76
Dali-Grey-NemaSocket-3K														
CQ80-A4W-26G-60	Wadhurst-80W-LED-AC-3K-Dali-NemaSocket-Grey-60mm	LED	9,800	80	WW	3K	Ra>80	220-240	410	8,624	108	14.25	Grey	60
CQ80-A4W-26G-76	Wadhurst-80W-LED-AC-3K-Dali-NemaSocket-Grey-76mm	LED	9,800	80	WW	3K	Ra>80	220-240	410	8,624	108	14.25	Grey	76

Legend: **Std** = Standard. **3K** = Warm White (3000K). **4K** = Neutral White (4000K). **6K** = Cool White (6000K). **WW** = Warm White. **NW** = Neutral White. **CW** = Cool White.