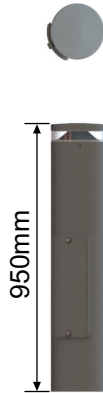
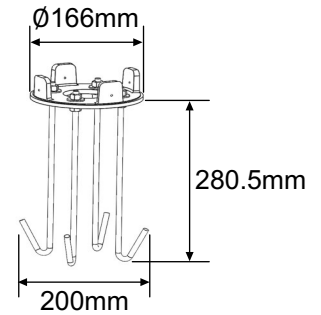


Westerham
Bollard
(WB)

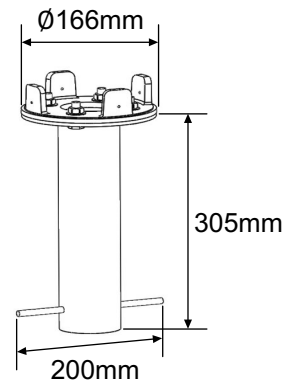


Optional mounting:

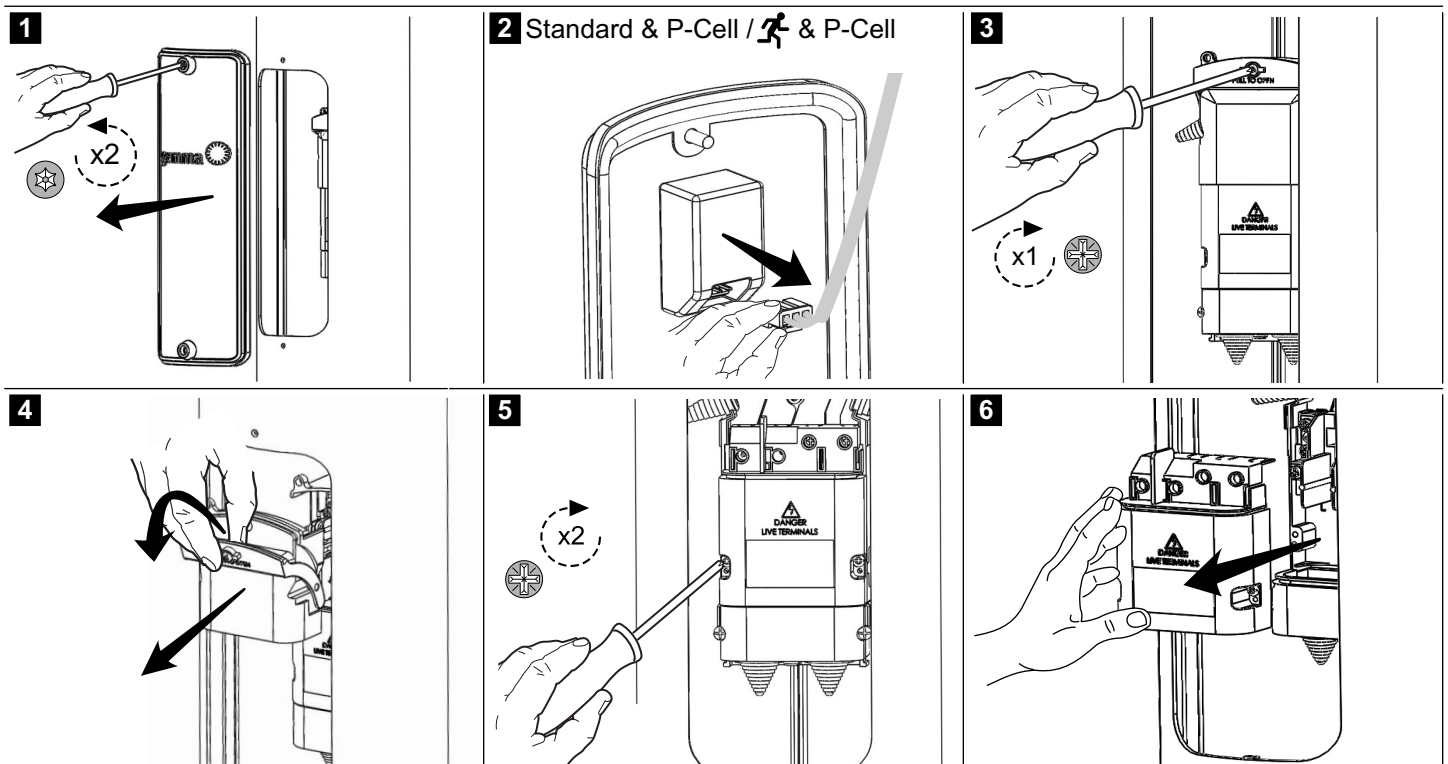
Flange Plate & Bolts (FIX0429)

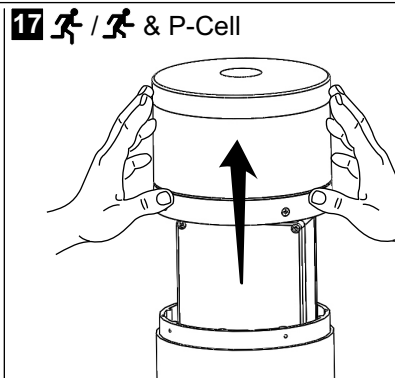
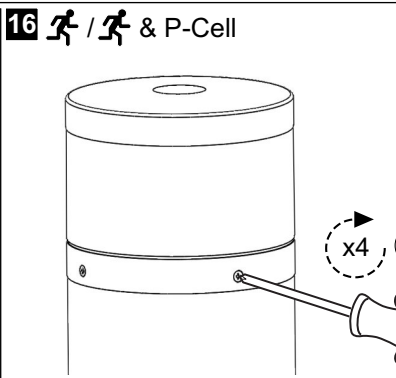
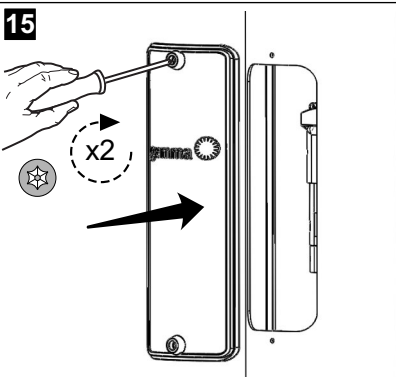
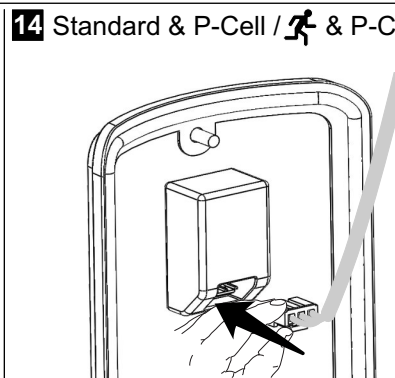
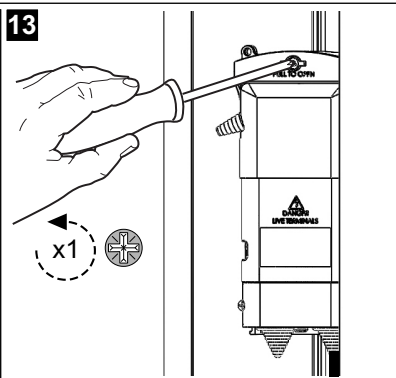
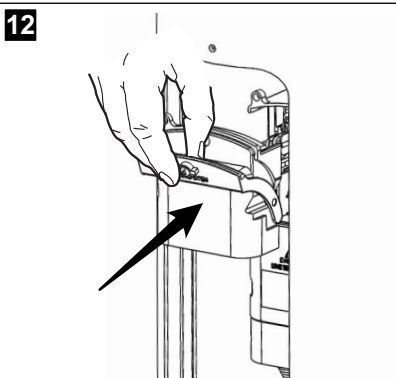
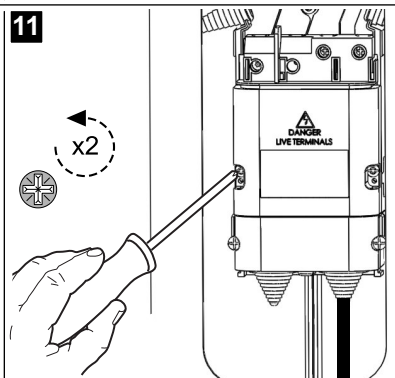
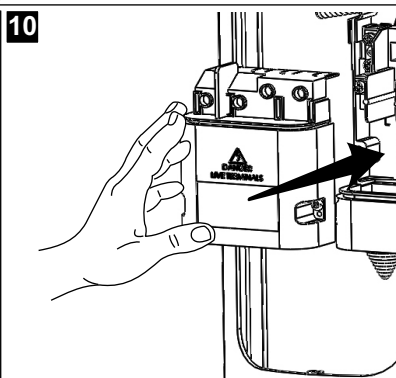
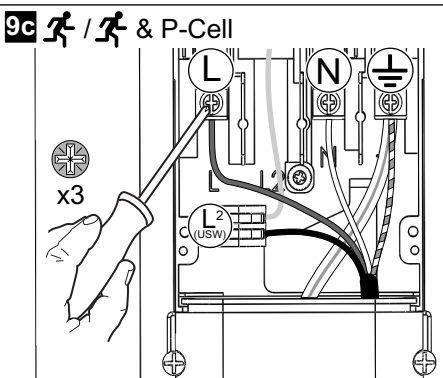
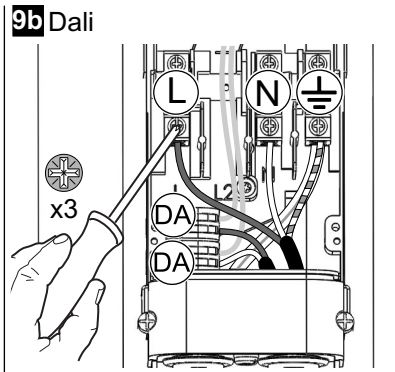
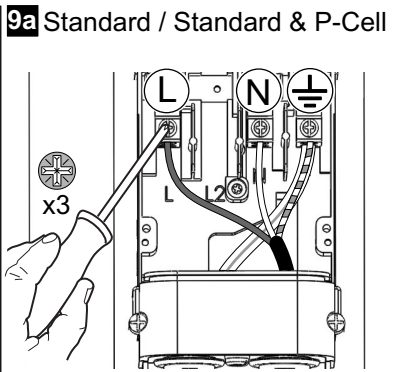
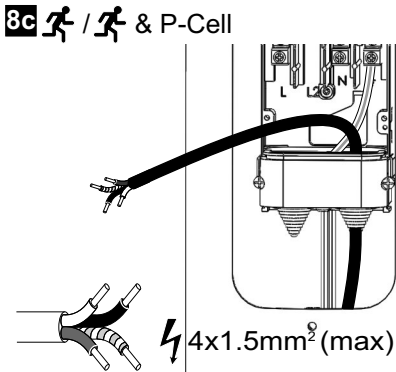
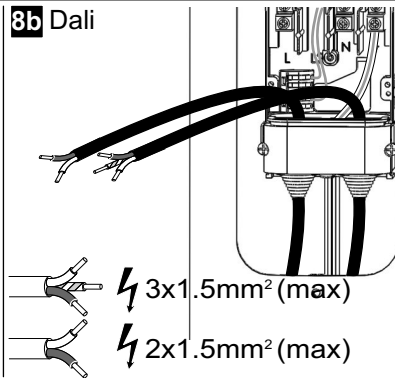
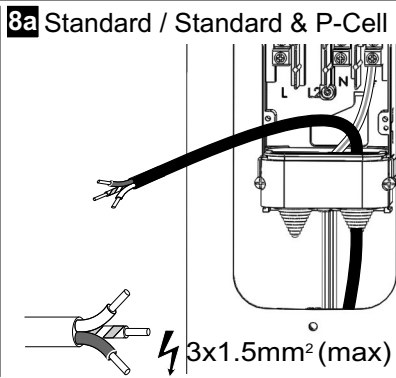
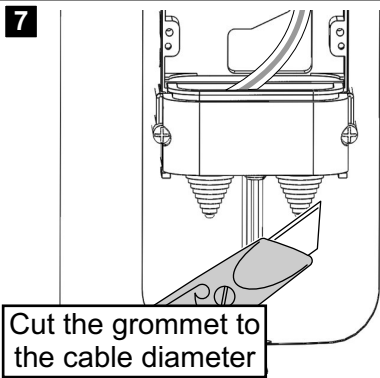


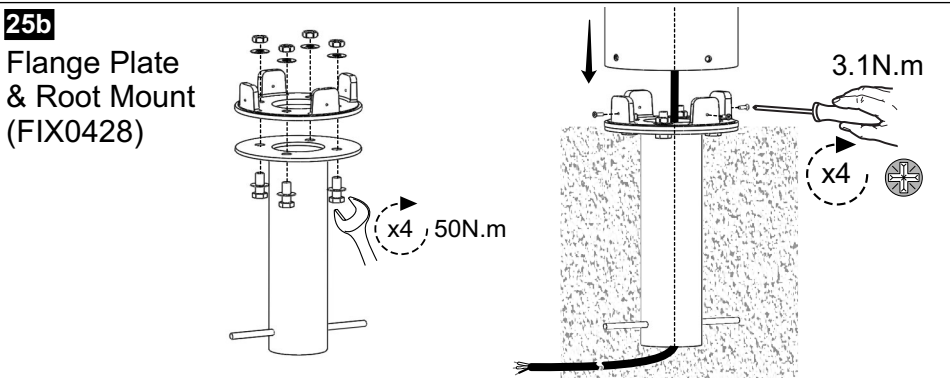
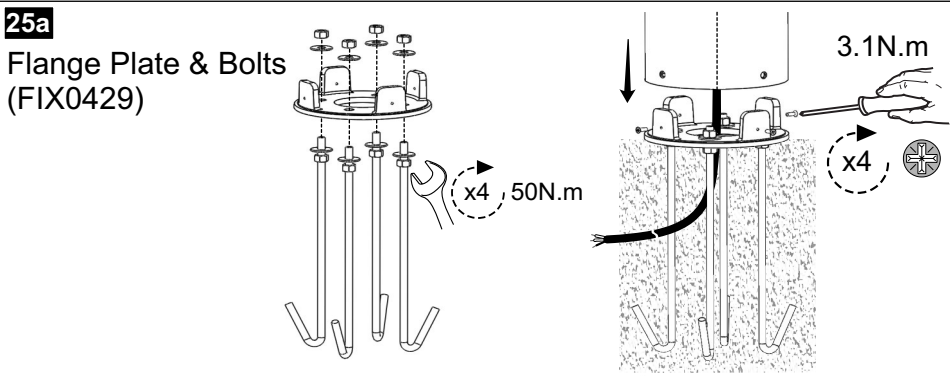
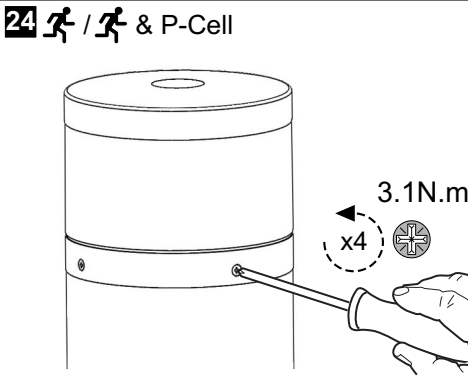
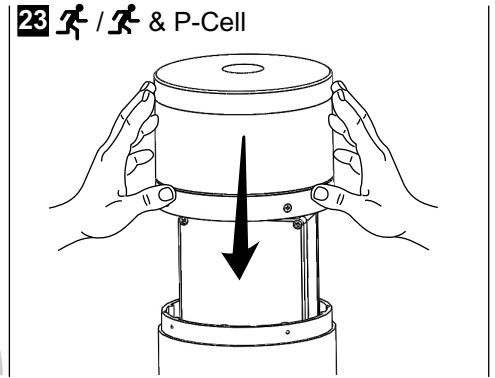
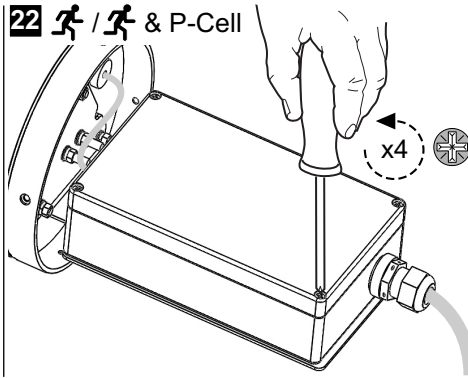
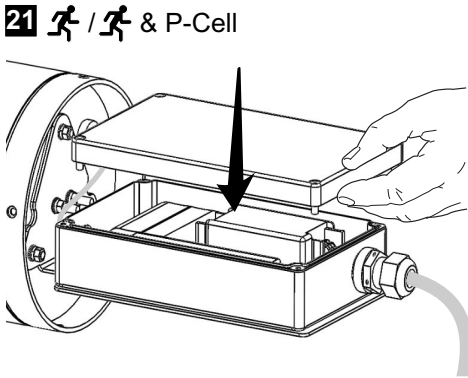
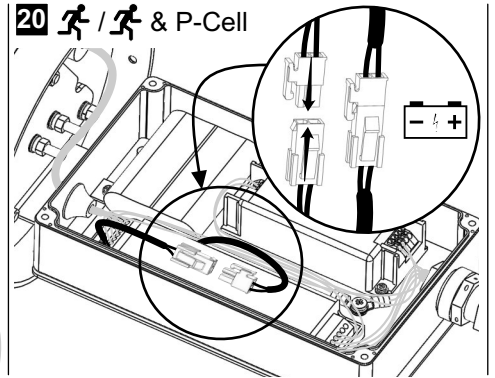
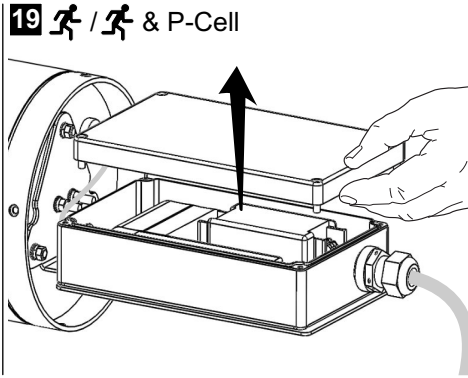
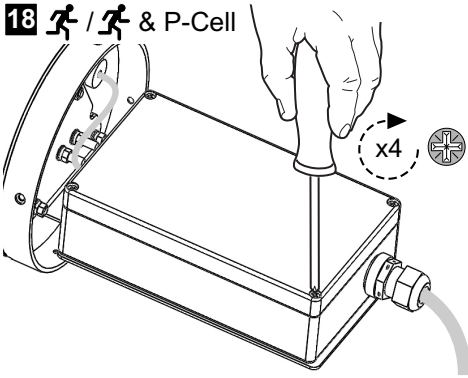
Flange Plate & Root Mount (FIX0428)



Product Range	Power (W)	Standard	Standard & P-Cell	Dali	Emergency	Emergency & P-Cell
Westminster	10	7	7	7	7.25	7.25
	20					












Important - Safety



- Between The Control Conductor And Low Voltage Supply The Maintained Insulation Level Is Basic.
- Tested To BS EN 60598.
- For Standard / Standard & P-Cell / Dali: Ta -20°C ... 25°C.
- For  /  & P-Cell: Ta 0°C ... 25°C.
- Failed Light Source Should Be Replaced Promptly Or The Circuit Switched Off To Avoid Possible Damage To Control Gear.
- The Light Source Contained In This Luminaire Shall Only Be Replaced By The Manufacturer Or Service Agent Or A Similar Qualified Person.

Circuit Breaker Type	10A(B)	16A(B)	25A(B)
Standard /  Luminaire	19	30	42
Dali Luminaire	50	80	-



- Ensure No Cables / Wires Are Trapped During Bollard Assembly.
- Before Carrying Out Any Servicing On These Luminaires, Ensure That The Mains Supply Is Fully Isolated.
- Disconnect The Luminaire Before Insulation Testing Of The Installation
- Any Alterations To The Luminaire, Will Need To Be Confirmed With Gemma Lighting. If Alterations Have Been Carried Out To The Luminaire Without Confirmation The Luminaires Safety & Warranty Will Be At Risk.



Do Not Stare At
The Operating
Light Source