

4 Zone DMX and RF wall panel

for Single Colour, Tunable White, RGB, RGBW and RGBCCT LED strip

INTALED

WP-4RGBCCT



Product Description

The WP-4RGBCCT wall panel enables control of up to 4 zones of Single Colour, Tunable White, RGB, RGBW and RGBCCT LED strip, featuring simple to use back-lit touch controls for easy brightness adjustment.

Wall panel Technical Specification

Controller	WP-4RGBCCT
Type	RF and DMX wall panel
Input Voltage	85-265V AC
Dimension (WxLxH)	86 x 86 x 35mm
DMX Output Signal	DMX512
Operation Frequency	2.4GHz
IP rating	IP20

Features

- Easy control of Single Colour, Tunable White, RGB, RGBW and RGBCCT LED strips for up to 4 zones independently or simultaneously
- Touch sensitive glass and smooth dimming
- Backlit buttons for night time use
- Designed to fit into your existing switch back box
- Built-in dynamic play modes with receiver auto-synchronization
- Receiver Auto-Transmitting function to achieve greater distances between receivers and the remote
- Each zone can have different LED strip type

Compatible RGB receivers and DMX decoders Technical Specification

Order code	R3C	R4C	R5C	DIM-DMX1CH(N)	DIM-DMX5CH
Channels	3 (RGB)	4 (RGBW)	5 (RGBCCT)	4 (RGBW)	5 (RGBCCT)
Type	RF receiver	RF receiver	RF receiver	DMX decoder	DMX decoder
Input Voltage	12-24V DC	12-36V DC	12-24V DC	12-24V DC	12-24V DC
Current	3x4A	4x5A	5x3A	4x5A	5x6A
Output	3X(48-96W)	4X(60-180W)	5X(36-72W)	4x(60-120)W	5x(72-140)W
Note	Constant voltage	Constant voltage	Constant voltage	Constant voltage	Constant voltage
Dimension (WxLxH)	33x97x18mm	45x175x27mm	38x114x20mm	50x170x23mm	170x86x39.5mm



R3C



R4C



R5C



DIM-DMX1CH(N)



DIM-DMX5CH

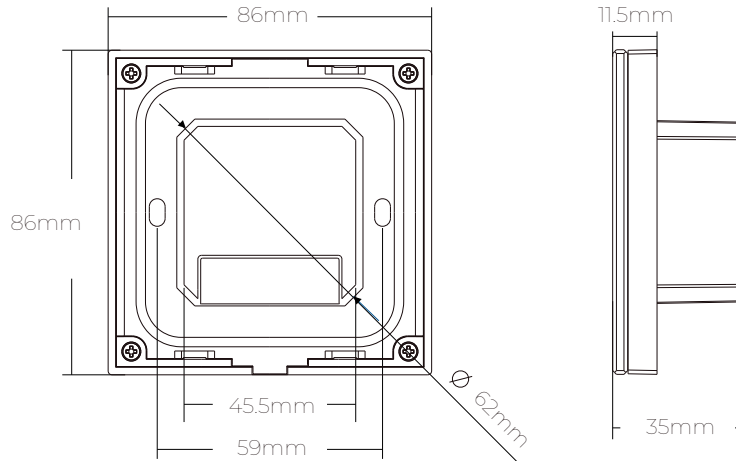
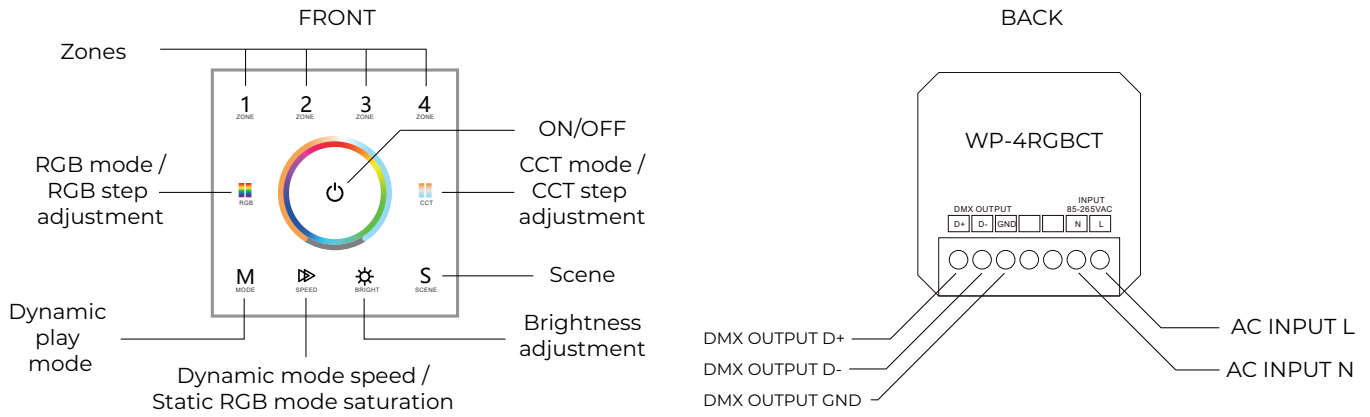


4 Zone DMX and RF wall panel

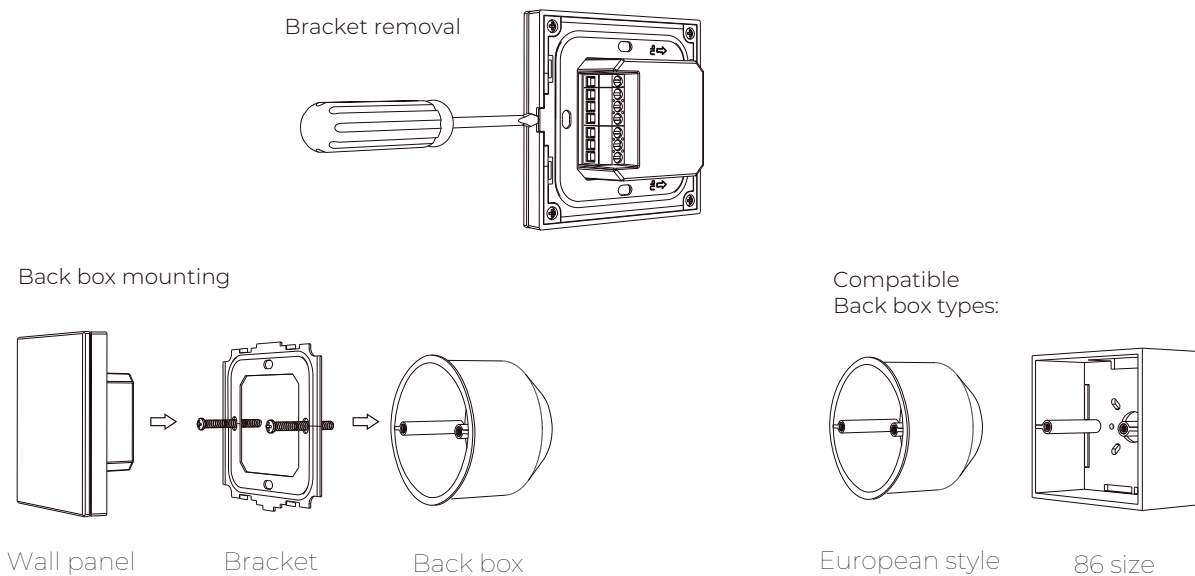
for Single Colour, Tunable White, RGB, RGBW and RGB CCT LED strip

INTALED

Controller layout



Installation diagram

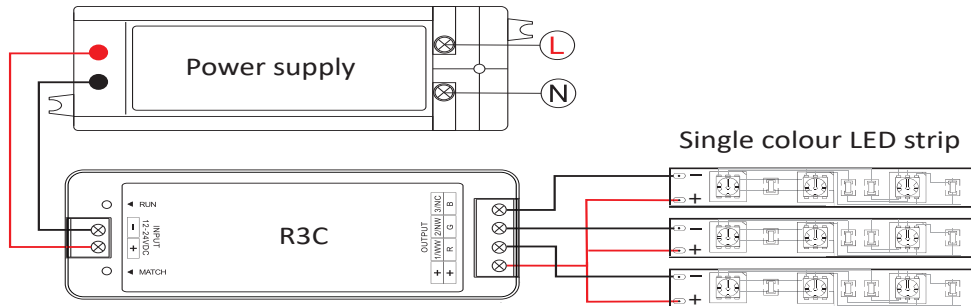


4 Zone DMX and RF wall panel

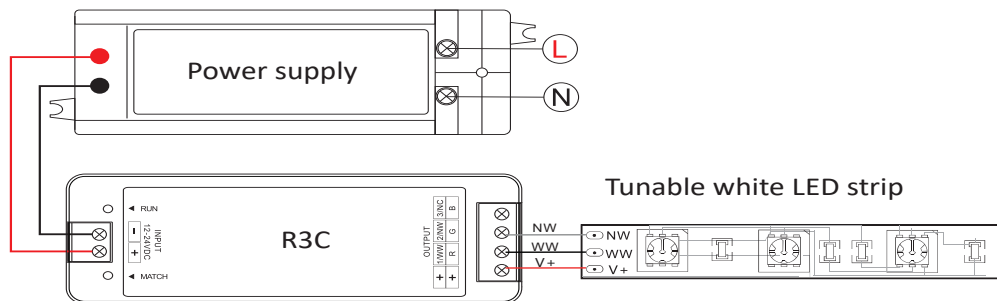
for Single Colour, Tunable White, RGB, RGBW and RGCCT LED strip

INTALED

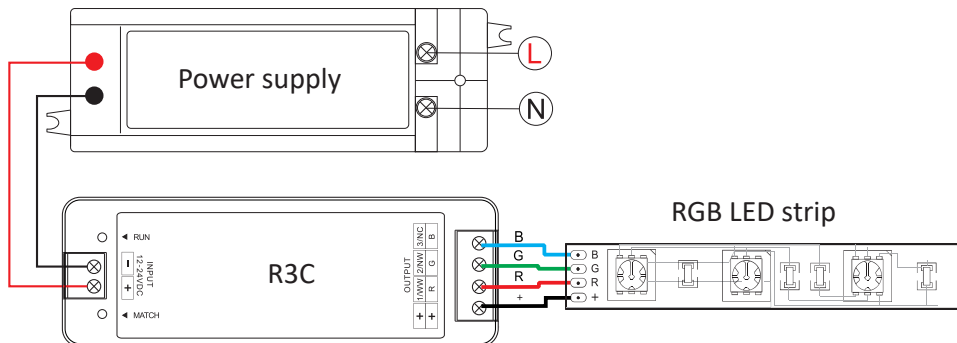
Single colour receiver wiring diagram



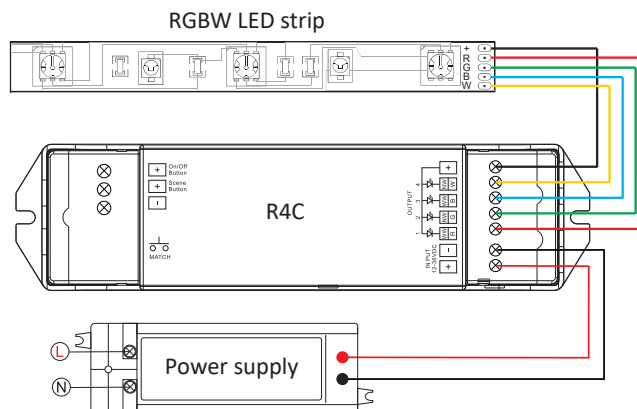
Tunable White receiver wiring diagram



RGB Receiver wiring diagram



RGBW Receiver wiring diagram

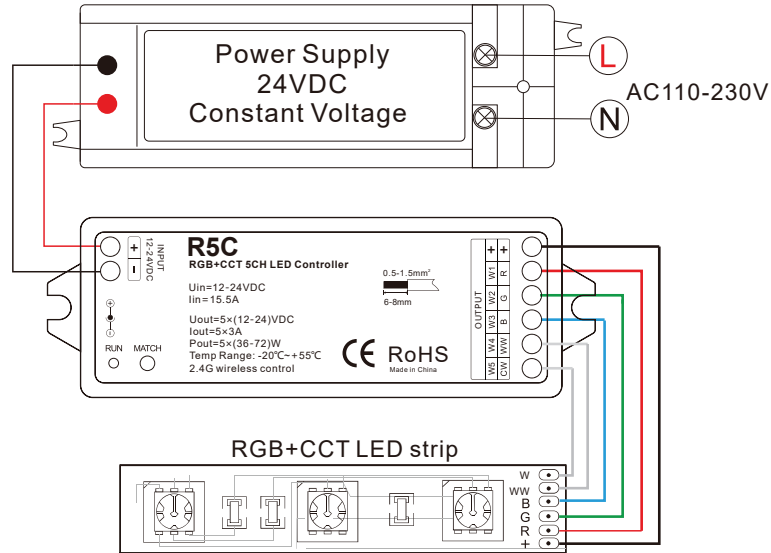


4 Zone DMX and RF wall panel

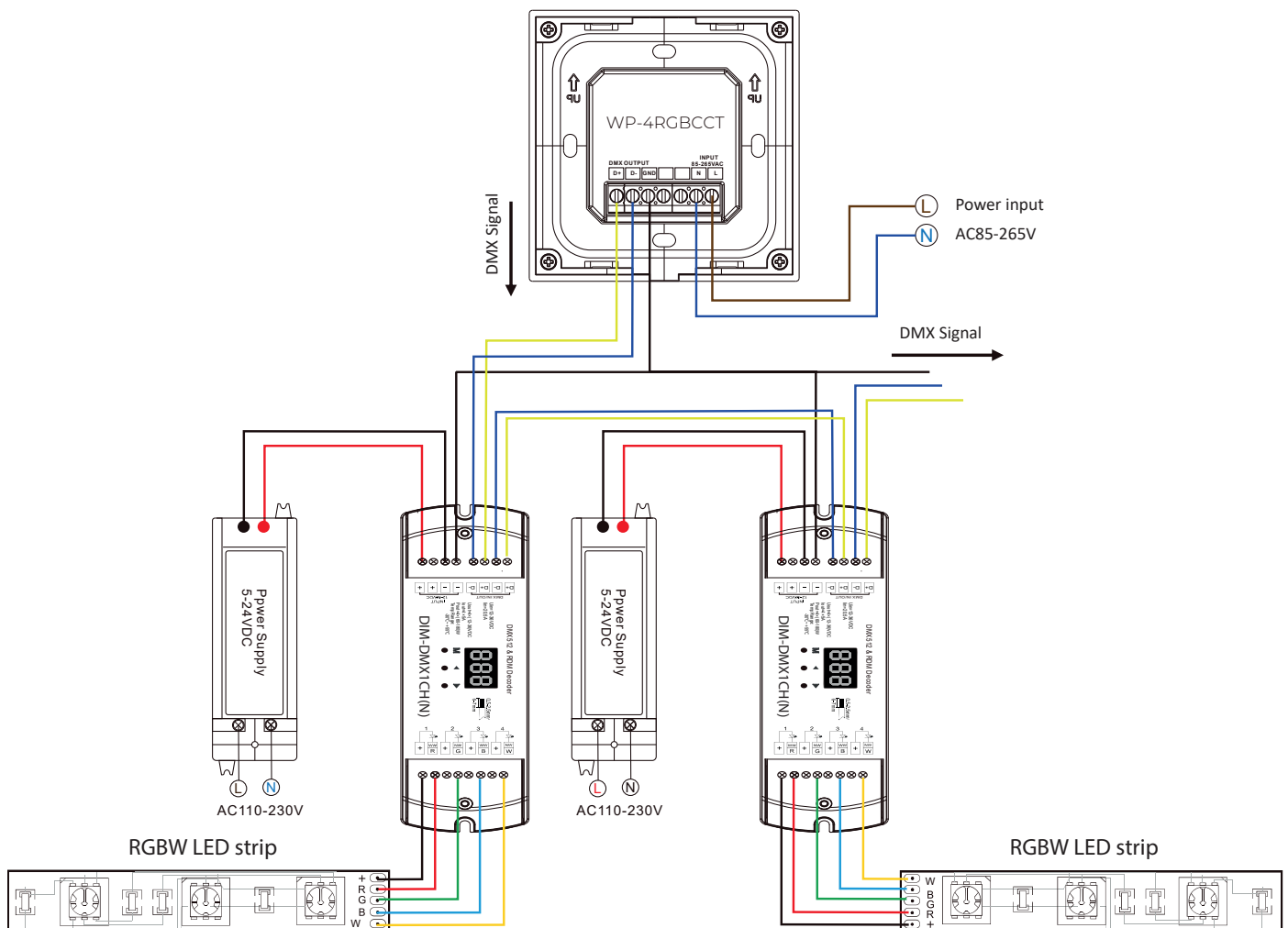
for Single Colour, Tunable White, RGB, RGBW and RGCCT LED strip

INTALED

RGCCT Receiver wiring diagram



DMX Decoder wiring diagram (RGBW)

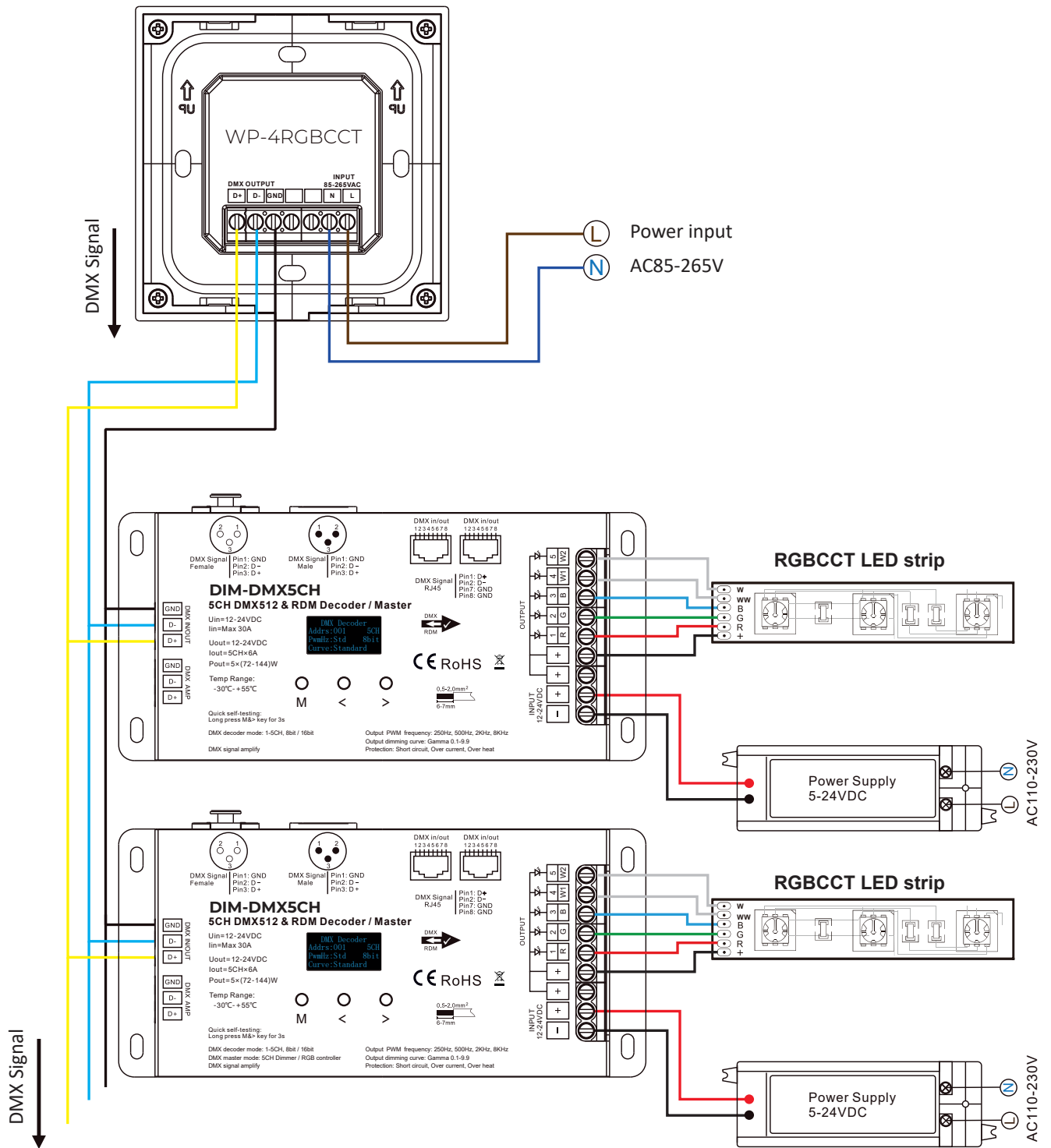


4 Zone DMX and RF wall panel

for Single Colour, Tunable White, RGB, RGBW and RGCCT LED strip

INTALED

DMX Decoder wiring diagram (RGCCT)



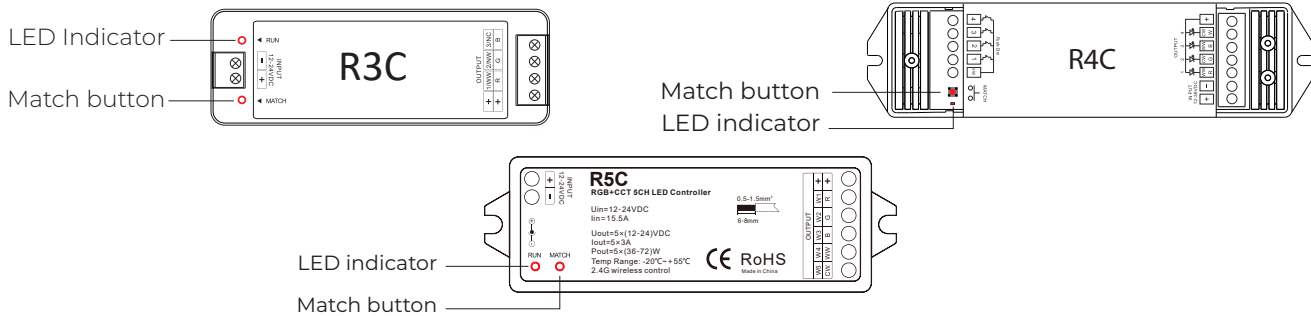
4 Zone DMX and RF wall panel

for Single Colour, Tunable White, RGB, RGBW and RGB CCT LED strip



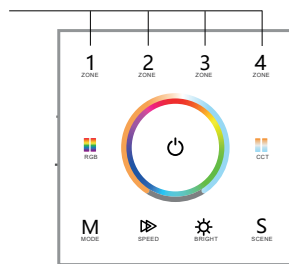
Synchronising the wall panel to the receiver

1) Ensure the receiver has power. Press the match button on the receiver. LED Indicator will start flashing slowly.



2) Choose the zone you wish to allocate on the panel within 5 seconds after pressing the match button. The LED indicator on the receiver will flash rapidly 5 times and then stop flashing. The controller is now synchronised with the receiver.

Press the zone you wish to allocate



3) Repeat the process to allocate zones for all receivers.

4) To restore the receiver to the factory default settings and delete the allocated controller, press and hold the match button on the receiver longer than 5 seconds until the LED indicator flashes quickly 5 times.

Note! RF technology allows for greater flexibility when it comes to controlling simple or complex lighting installations without the need of additional cabling. There are some limitations where installations have the receivers enclosed in electrical boxes or hidden away in a ceiling, reducing the RF signal strength and therefore the communication range. In order to overcome these RF Signal restrictions we suggest the following when synchronising our RF controllers and receivers:

- Keep the distance within 10 meters from the controller to the receiver. The remote can operate up to 30 meters if signal is uninterrupted by obstacles.
- When expanding your lighting, always try and use a signal repeater (PR-RGB(N)), where possible.

Synchronising the wall panel to the DMX decoder

Address Setting in Various modes when using a single decoder:

LED strip type mode	Channel					Zone 1 DMX address	Zone 1 DMX address	Zone 1 DMX address	Zone 1 DMX address
Single Colour	W	W	W	W	W	1-5	6-10	11-15	16-20
Tunable White	WW	CW	WW	CW	-	1-5	6-10	11-15	16-20
RGB	R	G	B	-	-	1-5	6-10	11-15	16-20
RGBW	R	G	B	W	W	1-5	6-10	11-15	16-20
RGB CCT	R	G	B	WW	CW	1-5	6-10	11-15	16-20

Note! We recommend using the controller when controlling all lighting as a single zone.

Please note that with the DIM-DMX1CH(N) and DIM-DMX5CH one can use the manual button to switch ON the connected LED strips and check the operation by cycling through the various modes.

- When expanding your lighting always try and use a signal repeater (PR-RGB) where possible.
- If using DMX over 55mtrs it is recommended to use a DMX amplifier for longer distances.
- If the recoil effect occurs because of the long DMX signal line or bad DMX line quality, please try to connect a 0.25W 90-120Ω terminal resistor at the end of the DMX signal line.

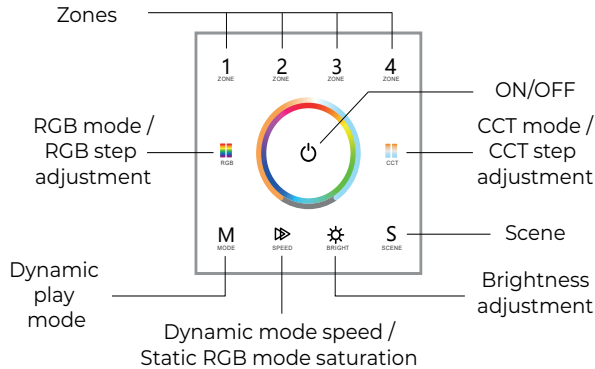


4 Zone DMX and RF wall panel

for Single Colour, Tunable White, RGB, RGBW and RGB CCT LED strip

INTALED

Controlling the LED strip

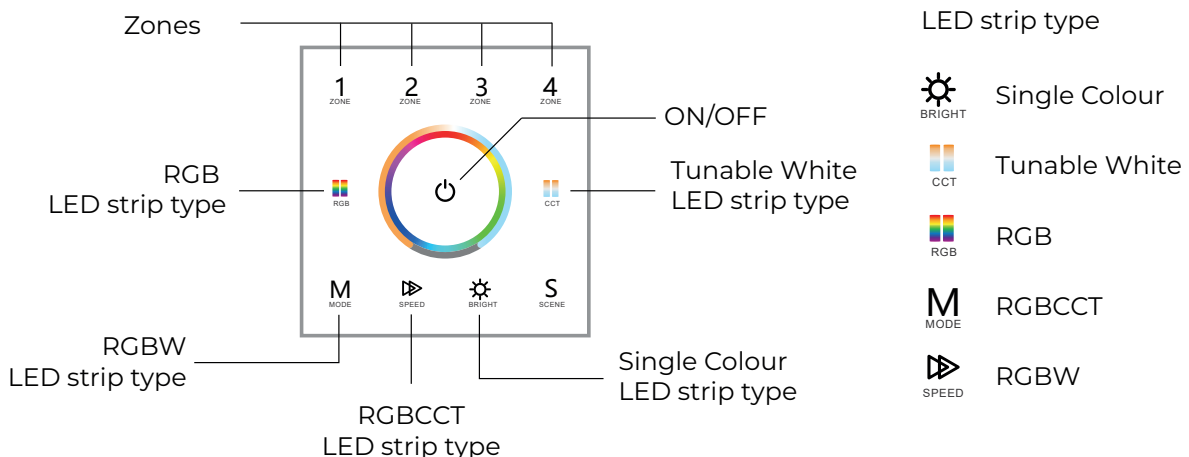


Sound ON/OFF: When OFF more than 10 sec press and hold the Power button for more than 5 seconds until you hear the chime. Sound is now turned off. Repeat the procedure to turn the sound back on.

- **ON/OFF:** Turn ON/OFF LED strips on the last setting.
- **Zones:** When ON choose the Zones you wish to control. When OFF short press Zone to turn ON current Zone, long press for 2s to turn OFF the desired Zone.
- **RGB mode:** To adjust the colour, press the RGB mode button, then touch the colour wheel.
- **CCT (Tunable White or RGB CCT type):** Short press to change CCT in 11 steps, long press to switch between WW/CW
- **CCT (RGB):** Short press to change CCT by mixing RGB channels in 11 steps, long press to switch between WW/CW
- **CCT (RGBW):** Short press to change W channel in 11 steps, long press to switch between 0%/100%
- **Dynamic play mode:** Short press to run next mode, long press 2s to run mode-cycle
- **Speed: (static mode)** Short press to change RGB saturation in 11 steps, long press to change RGB saturation in 256 levels
- **Speed: (dynamic play mode)** Short press to adjust speed in 10 levels, long press 2s to set default speed. Speed button syncs the receivers play mode if out of sync
- **Brightness:** To adjust the brightness for the selected Zones press the Brightness button. Press and hold for continuous fine adjustment.
- **Scene:** Long press 2s to save current settings to Scene, short press to retrieve saved scene.

Setting the LED strip type

- 1) Press ON/OFF to turn ON.
- 2) Press ON/OFF again to turn OFF. Immediately after press and hold ON/OFF for more than 6 sec. You have now entered into LED strip type mode.
- 3) Press and hold desired Zone button for more than 3 sec until you hear the chime, then press and hold the corresponding LED strip type button for more than 3sec.
- 4) Press ON/OFF to save settings and turn ON.



4 Zone DMX and RF wall panel

for Single Colour, Tunable White, RGB, RGBW and RGCCT LED strip

INTALITE

Dynamic play mode presets

No.	Name	No.	Name
1	RGB jump	6	RGB fade in and out
2	RGB smooth	7	Red fade in and out
3	6 color jump	8	Green fade in and out
4	6 color smooth	9	Blue fade in and out
5	Color temperature smooth	10	White fade in and out

Troubleshoot

Problem	Cause	Corrective
No light	<ul style="list-style-type: none">• No power.• Wrong connection or unsecure connection.	<ul style="list-style-type: none">• Check the power.• Check the connection.
Wrong Colour	<ul style="list-style-type: none">• Wrong connection of RGB/W wires.	<ul style="list-style-type: none">• Retrace and reconnect RGB/W wires.
Uneven intensity between front and rear of the strip, with voltage drop	<ul style="list-style-type: none">• Output cable is too long.• Cable diameter is too small.• Overload beyond driver capability.• Overload beyond receiver capability.	<ul style="list-style-type: none">• Reduce cable or loop supply.• Change to a thicker cable.• Replace with a suitable higher power driver.• Add a power repeater.
No response from the remote	<ul style="list-style-type: none">• The wall panel has no power.• Beyond controllable distance.• The controller isn't synchronised with the remote.	<ul style="list-style-type: none">• Check the incoming supply to the wall panel.• Reduce remote to receiver distance.• Re-sync the remote.

Safety

- Products must be installed and serviced by qualified electrician.
- Please ensure the receiver is mounted in a water proof enclosure if installed in an outdoor environment, avoiding metallic enclosures.
- Always ensure products are mounted in areas with adequate ventilation to avoid overheating.
- Please ensure outputs of any power suppliers used in conjunction with this product comply with its working voltage.
- Never install product whilst connected to power and double check connections before switching on to avoid short circuits.

Guarantee:

All LED and electrical components carry a 5 year electrical guarantee, All lamps have their own average life span. We recommend all products are installed by NICEIC / registered electrical contractors, failure to do so will result in any guarantee becoming void.

INTALITE UK
148 - 154 Merton High Street;
London, SW19 1AZ, UK
Tel: +44 (0)20 8542 1471
Fax: 0870 4211 763
www.intalite.co.uk
sales@intalite.co.uk

Full Terms & Conditions:

For our full terms and conditions please visit our website - www.intalite.co.uk/terms-conditions



V002-11-2019

www.intalite.co.uk