

# 60W Mains Dimmable LED Driver

Constant Voltage IP20 24VDC

# INTALED

## LDD-60/24(N)



### Technical Specification

Order Code		LDD-60/24(N)
Output	Rated Power	60W
	Rated Current	2.5A
Input	Output Voltage	24V DC
	Voltage Tolerance	±0.5V
	Voltage Range	200~240VAC
	Frequency Range	47~63Hz
	Efficiency (Typ)	85%
	Power Factor	PF≥0.98/200-240VAC(Full loading)
	AC Current (Typ)	0.42A
Protection	Inrush Current (Max)	50A (50% I <sub>peak</sub> Twidth=176µs) 230VAC
	Overload	≤ 120%
Environment	Short circuit	Recovers automatically after condition is removed
	Working Temp	-40~+70°C
	Working Humidity	20~90%RH, non-condensing
	Ingress Protection	IP20 non-waterproof
Safety & EMC	Storage Temp / Humidity	-40~+80 °C, 10~95%RH
	Safety Standards (LVD)	EN61347-2-13:2014/A1:2017, EN61347-1:2015, EN 62493:2015
	Withstand Voltage	I/P-O/P:3.75KVAC
	Isolation Resistance	I/P-O/ P:100MΩ / 500VDC / 25 °C / 70%RH
Dimming	EMC Emission and Immunity	EN 55015:2013/A1:2015, EN 61547:2009, EN 61000-3-2:2014, EN 61000-3-3:2013
	Dimming Type	PWM dimming, PWM frequency ~ 400Hz
	Minimum Load to achieve optimum dimming of 5-100%	10%, 6W
Mechanical	Dimmer	Leading and Trailing Edge
	Note	Consult the Derating Curve for load guidance.
Mechanical	Size	178x61x24mm (L×W×H)
	Weight	0.35Kg

To calculate the maximum number of drivers per mcb the following calculation can be applied:

Number for drivers= I<sub>peak</sub> (breaker)/ I<sub>surge</sub> (driver).

Consult breaker manufacturer for guidance on circuit breakers for direct current applications.

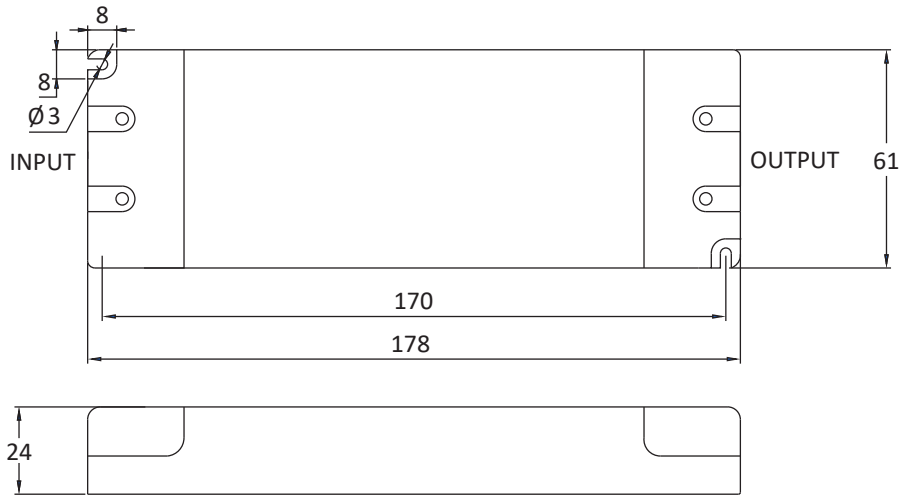


# 60W Mains Dimmable LED Driver

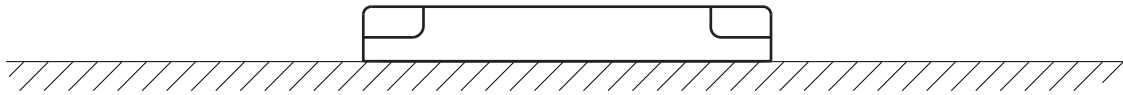
Constant Voltage IP20 24VDC

# INTALED

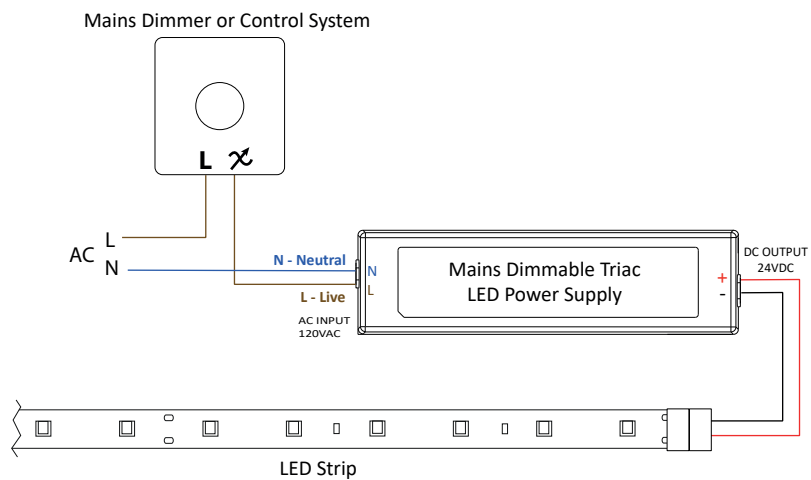
## Dimensions



## Recommended Mounting Position



## Wiring diagram



# 60W Mains Dimmable LED Driver

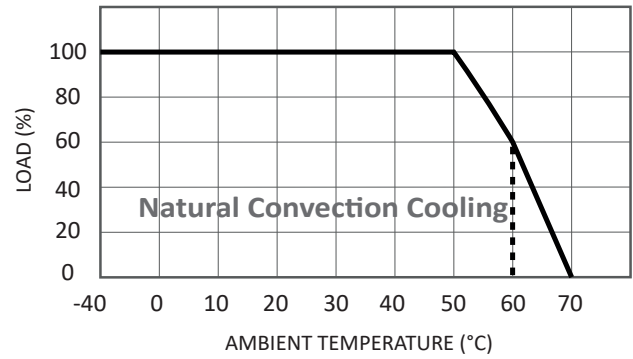
Constant Voltage IP20 24VDC

# INTALED

## Note

For compatibility of dimmable drivers with mains dimmers and home automation systems please refer to the compatibility chart on our website:  
[www.intalite.co.uk/dimmerscompatibility](http://www.intalite.co.uk/dimmerscompatibility)

## Derating Curve



## Guarantee:

All LED and electrical components carry a 5 year electrical guarantee, All lamps have their own average life span. We recommend all products are installed by NICEIC / registered electrical contractors, failure to do so will result in any guarantee becoming void.

## Full Terms & Conditions:

For our full terms and conditions please visit our website - [www.intalite.co.uk/terms-conditions](http://www.intalite.co.uk/terms-conditions)

INTALITE UK  
148 - 154 Merton High Street;  
London, SW19 1AZ, UK  
Tel: +44 (0)20 8542 1471  
Fax: 0870 4211 763  
[www.intalite.co.uk](http://www.intalite.co.uk)  
[sales@intalite.co.uk](mailto:sales@intalite.co.uk)

