

4 Zone RF Remote Control

for Single Colour LED strip

INTALED

LR-4WN



Product Description

The LR-4WN remote enables control of up to 4 zones of single colour LED strip, featuring a scroll wheel which enables the user to adjust the brightness of the connected LED strip. This remote also allows one to save preferred brightness levels.

Technical Specification

Controller	
Order Code	LR-4WN
Type	RF Remote
Input Voltage	3VDC
Operation Frequency	2.4GHz
Dimension	58.5x107x9mm (WxLxH)
Power	battery CR2032

Features

- Adjust brightness for up to 4 zones independently or simultaneously
- Smooth dimming capacity.
- Distance of up to 30m.
- PWM dimming enables flicker-less dimming
- Receiver Auto-Transmitting function to achieve greater distances between receivers and the remote

Compatible RGB receiver Technical Specification

Receiver	
Order Code	R3C
Type	RF receiver
Input Voltage	12-24VDC
Current	3x4A
Output	3X(48-96W)
Note	Constant voltage
Dimension	33x97x18mm (WxLxH)



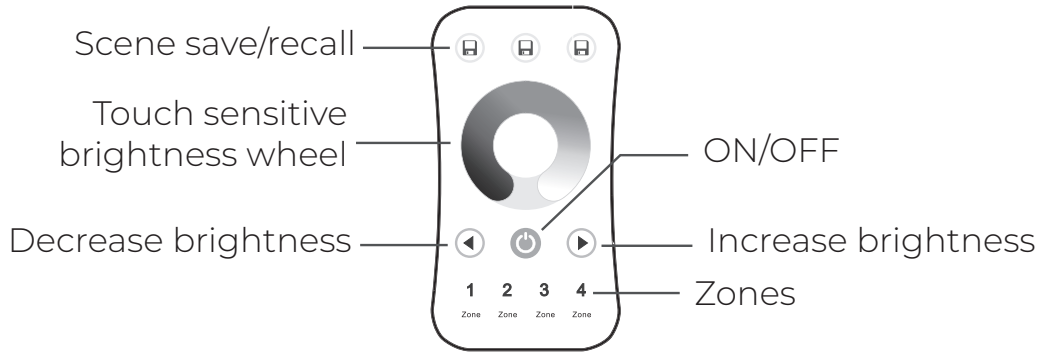
R3C

4 Zone RF Remote Control

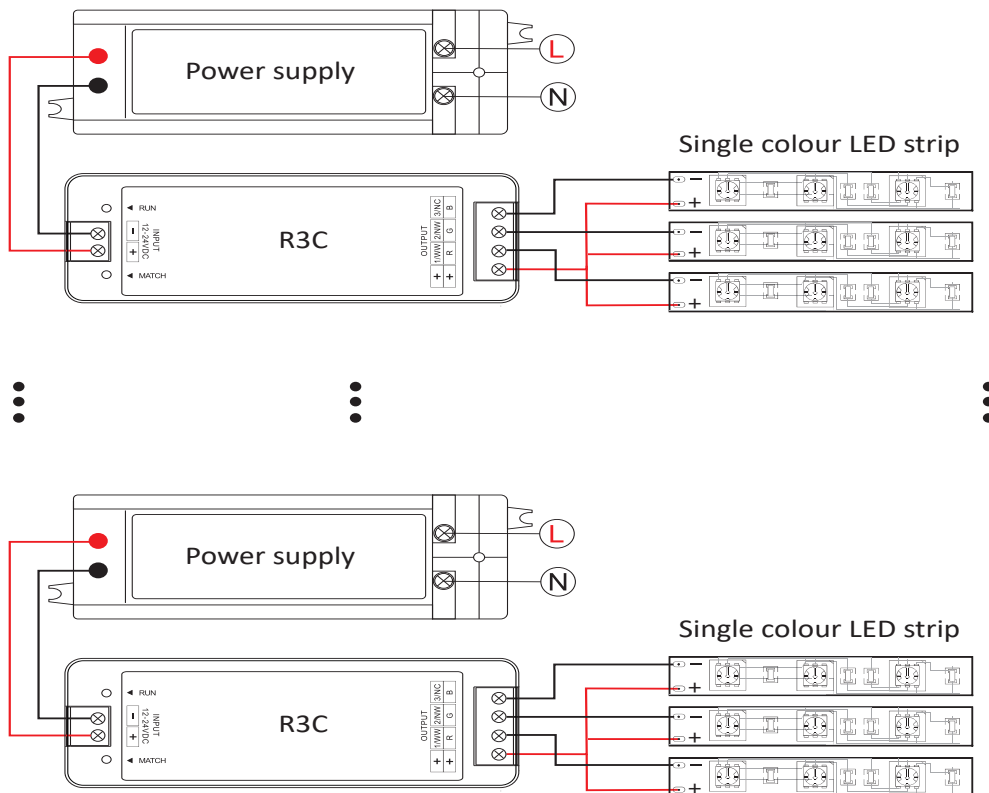
for Single Colour LED strip

INTALED

Controller layout



Receiver wiring diagram



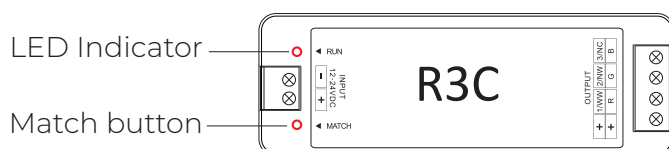
4 Zone RF Remote Control

for Single Colour LED strip

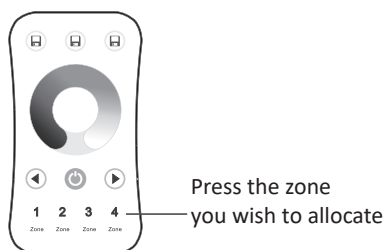
INTALED

Synchronising the remote to receiver

1) Ensure the receiver has power. Press the match button on the receiver. Indicator will begin flashing.



2) Choose the required zone on the remote to allocate the receiver within 5 seconds after pressing the match button. The LED indicator on the receiver will flash rapidly 5 times and then stop flashing. The controller is now synchronised with the receiver.



3) Repeat the process to allocate zones for all receivers.

4) To restore to factory default settings and delete the allocated controller, press and hold the match button longer than 5 seconds.

Troubleshoot

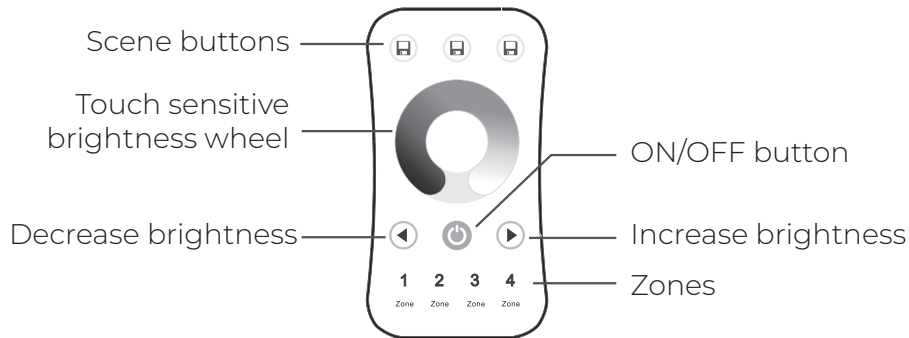
Problem	Cause	Corrective
No light	<ul style="list-style-type: none">No power.Wrong connection or unsecure connection.	<ul style="list-style-type: none">Check the power.Check the connection.
Wrong Colour	<ul style="list-style-type: none">Wrong connection of tunable white wires.	<ul style="list-style-type: none">Re trace and reconnect tunable white wires.
Uneven intensity between front and rear of the strip, with voltage drop	<ul style="list-style-type: none">Output cable is too long.Cable diameter is too small.Overload beyond driver capability.Overload beyond receiver capability.	<ul style="list-style-type: none">Reduce cable or loop supply.Change to a thicker cable.Replace with a suitable higher power driver.Add a power repeater.
No response from the remote	<ul style="list-style-type: none">The battery has no power.Beyond controllable distance.The controller isn't synchronised with the remote.	<ul style="list-style-type: none">Replace battery.Reduce remote to receiver distance.Re-sync the remote.

4 Zone RF Remote Control

for Single Colour LED strip

INTALED

Controlling your LED strip



- Choose the zone(s) you wish to control.
- To change brightness, use the touch wheel, or press the buttons for increasing / decreasing brightness.

- To save your favourite setup, press and hold scene buttons.
- To recall saved setup, press scene button.
- You can save up to 3 scenes.

Please note! RF technology allows for greater flexibility when it comes to controlling simple or complex lighting installations without the need of additional cabling.

There are some limitations where installations have the receivers enclosed in electrical boxes or hidden away in a ceiling, reducing the RF signal strength and therefore the communication range.

In order to overcome these RF Signal restrictions we suggest the following when synchronising our RF controllers and receivers:

- Keep the distance within 10 meters from the controller to the receiver. The remote can operate up to 30 meters if signal is uninterrupted by obstacles.
- When expanding your lighting, always try and use a signal repeater (PR-RGB(N)), where possible.

Safety

- Products must be installed and serviced by qualified electrician.
- Please ensure the receiver is mounted in a water proof enclosure if installed in an outdoor environment, avoiding metallic enclosures.
- Always ensure products are mounted in areas with adequate ventilation to avoid overheating.
- Please ensure outputs of any power suppliers used in conjunction with this product comply with its working voltage.
- Never install product whilst connected to power and double check connections before switching on to avoid short circuits.

Guarantee:

All LED and electrical components carry a 5 year electrical guarantee, All lamps have their own average life span. We recommend all products are installed by NICEIC / registered electrical contractors, failure to do so will result in any guarantee becoming void.

Full Terms & Conditions:

For our full terms and conditions please visit our website - www.intalite.co.uk/terms-conditions

INTALITE UK
148 - 154 Merton High Street,
London, SW19 1AZ, UK
Tel: +44 (0)20 8542 1471
Fax: 0870 4211 763
www.intalite.co.uk
sales@intalite.co.uk