

# 1 Zone RF Remote Control

for Tunable White LED strip

# INTALED

## LR-TWN



### Product Description

The LR-TWN remote enables control of a single zone of tunable white LED strips, featuring a touch colour temperature wheel. This remote enables the user to adjust the colour temperature from warm white to cool white and daylight seamlessly.

### Technical Specification

Controller	
Order Code	LR-TWN
Type	RF Remote
Input Voltage	3VDC
Operation Frequency	2.4GHz
Dimension	58.5x107x9mm (WxLxH)
Power	battery CR2032

### Features

- Seamlessly adjust the CCT of LED strips via the remote
- Save lighting functions and preferences with scene save
- 4 preset dimming and CCT levels (100%, 50%, WW, NW)
- Distance of up to 30m (obstacle free)
- Receiver Auto-Transmitting function to achieve greater distances between receivers and the remote
- PWM dimming enables flicker-less dimming
- Dimming range: 0-100%

### Compatible RGB receiver Technical Specification

Receiver	
Order Code	R3C
Type	RF receiver
Input Voltage	12-24VDC
Current	3x4A
Output	3X(48-96W)
Note	Constant voltage
Dimension	33x97x18mm (WxLxH)



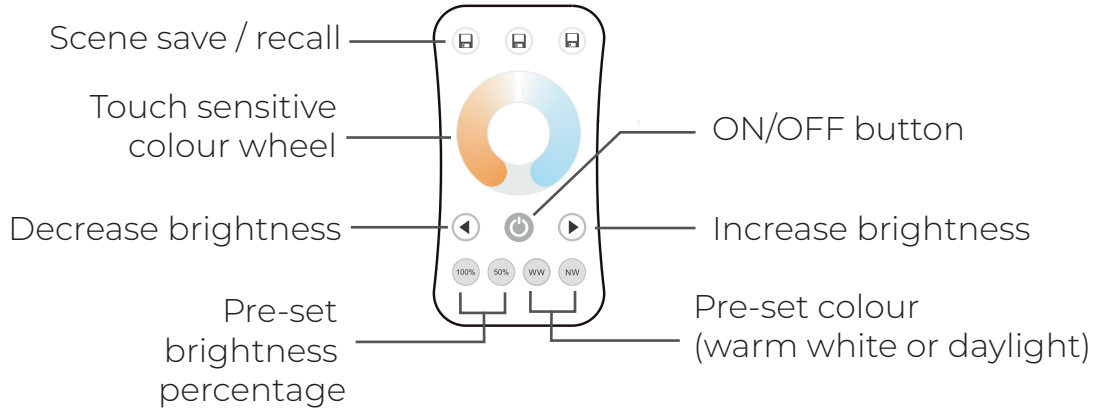
R3C

# 1 Zone RF Remote Control

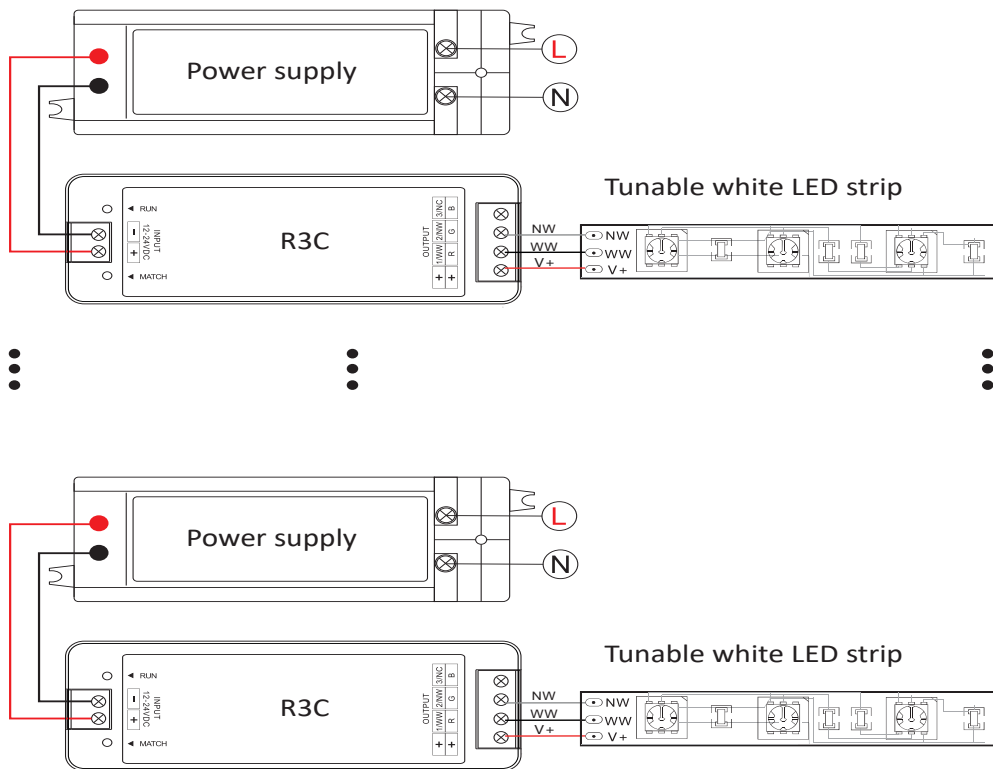
for Tunable White LED strip

# INTALED

## Controller layout



## Receiver wiring diagram



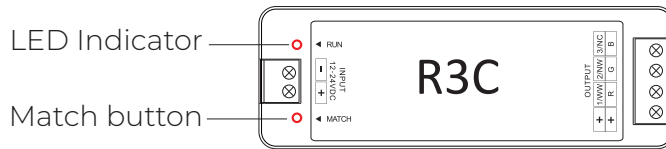
# 1 Zone RF Remote Control

for Tunable White LED strip

# INTALED

## Synchronising the remote to receiver

1) Ensure the receiver has power. Press the match button on the receiver. Indicator will begin flashing.



2) Press any button on the remote to allocate the receiver within 5 seconds after pressing the match button. The LED indicator on the receiver will flash rapidly 5 times and then stop flashing. The controller is now synchronised with the receiver.



Press any button to allocate the receiver

3) To restore to factory default settings and delete the allocated controller, press and hold the match button longer than 5 seconds.

## Troubleshoot

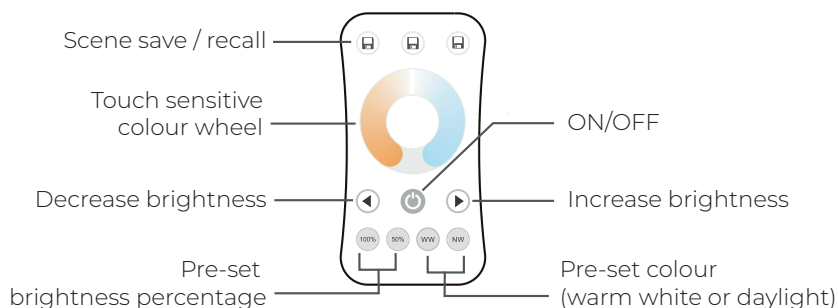
Problem	Cause	Corrective
No light	<ul style="list-style-type: none"><li>No power.</li><li>Wrong connection or unsecure connection.</li></ul>	<ul style="list-style-type: none"><li>Check the power.</li><li>Check the connection.</li></ul>
Wrong Colour	<ul style="list-style-type: none"><li>Wrong connection of tunable white wires.</li></ul>	<ul style="list-style-type: none"><li>Re trace and reconnect tunable white wires.</li></ul>
Uneven intensity between front and rear of the strip, with voltage drop	<ul style="list-style-type: none"><li>Output cable is too long.</li><li>Cable diameter is too small.</li><li>Overload beyond driver capability.</li><li>Overload beyond receiver capability.</li></ul>	<ul style="list-style-type: none"><li>Reduce cable or loop supply.</li><li>Change to a thicker cable.</li><li>Replace with a suitable higher power driver.</li><li>Add a power repeater.</li></ul>
No response from the remote	<ul style="list-style-type: none"><li>The battery has no power.</li><li>Beyond controllable distance.</li><li>The controller isn't synchronised with the remote.</li></ul>	<ul style="list-style-type: none"><li>Replace battery.</li><li>Reduce remote to receiver distance.</li><li>Re-sync the remote.</li></ul>

# 1 Zone RF Remote Control

for Tunable White LED strip

# INTALED

## Controlling your LED strip



- To change colour temperature, use the colour wheel
- To change the brightness, use the buttons for increasing / decreasing brightness.
- There are 2 buttons for already pre-set brightness levels (50% and 100%).
- There are 2 buttons for pre-set colour. Choose warm white or daylight.

- To save your favourite setup, press and hold scene buttons.
- To recall saved setup, press scene button.
- You can save up to 3 scenes.

Please note! RF technology allows for greater flexibility when it comes to controlling simple or complex lighting installations without the need of additional cabling.

There are some limitations where installations have the receivers enclosed in electrical boxes or hidden away in a ceiling, reducing the RF signal strength and therefore the communication range.

In order to overcome these RF Signal restrictions we suggest the following when synchronising our RF controllers and receivers:

- Keep the distance within 10 meters from the controller to the receiver. The remote can operate up to 30 meters if signal is uninterrupted by obstacles.
- When expanding your lighting, always try and use a signal repeater (PR-RGB(N)), where possible.

## Safety

- Products must be installed and serviced by qualified electrician.
- Please ensure the receiver is mounted in a water proof enclosure if installed in an outdoor environment, avoiding metallic enclosures.
- Always ensure products are mounted in areas with adequate ventilation to avoid overheating.
- Please ensure outputs of any power suppliers used in conjunction with this product comply with its working voltage.
- Never install product whilst connected to power and double check connections before switching on to avoid short circuits.

## Guarantee:

All LED and electrical components carry a 5 year electrical guarantee, All lamps have their own average life span. We recommend all products are installed by NICEIC / registered electrical contractors, failure to do so will result in any guarantee becoming void.

## Full Terms & Conditions:

For our full terms and conditions please visit our website - [www.intalite.co.uk/terms-conditions](http://www.intalite.co.uk/terms-conditions)

INTALITE UK  
148 - 154 Merton High Street;  
London, SW19 1AZ, UK  
Tel: +44 (0)20 8542 1471  
Fax: 0870 4211 763  
[www.intalite.co.uk](http://www.intalite.co.uk)  
[sales@intalite.co.uk](mailto:sales@intalite.co.uk)