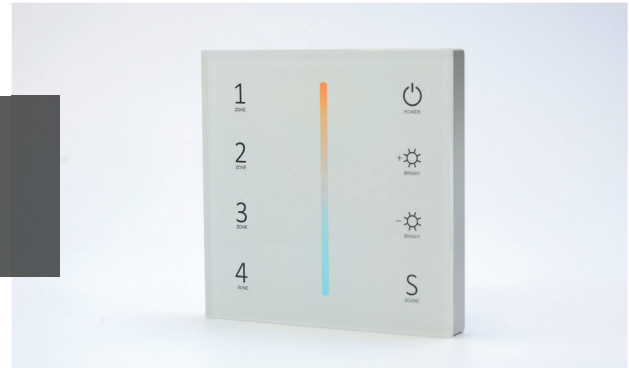


4 Zone DMX and RF wall panel

for Tunable White LED strip

INTALIED

WP-4TWN



Product Description

The WP-4TWN wall panel enables control of up to 4 zones of Tunable White LED strip, featuring simple to use back-lit touch controls for easy CCT and brightness adjustment.

Wall panel Technical Specification

Controller	WP-4TWN
Type	RF and DMX wall panel
Input Voltage	85-265V AC
Dimension (WxLxH)	86 x 86 x 35mm
DMX Output Signal	DMX512
Operation Frequency	2.4GHz
IP rating	IP20

Features

- Adjust CCT and brightness for up to 4 zones independently or simultaneously
- Touch sensitive glass and smooth dimming
- Backlit buttons for night time use
- Designed to fit into your existing switch back box
- Save lighting functions and preferences with scene save
- Receiver Auto-Transmitting function to achieve greater distances between receivers and the remote
- DMX512 signal output for wired control of Tunable White DMX decoders

Compatible receiver Technical Specification

Order code	R3C
Type	RF receiver
Input Voltage	12-24V DC
Current	3x4A
Output	3X(48-96W)
Note	Constant voltage
Dimension	33x97x18mm (WxLxH)

Compatible DMX decoder Technical Specification

Order code	DIM-DMX1CH(N)
Type	DMX decoder
Input Voltage	12-24V DC
Current	4x5A
Output	4x(60-120)W
Note	Constant voltage
Dimension	50x170x23mm (WxLxH)

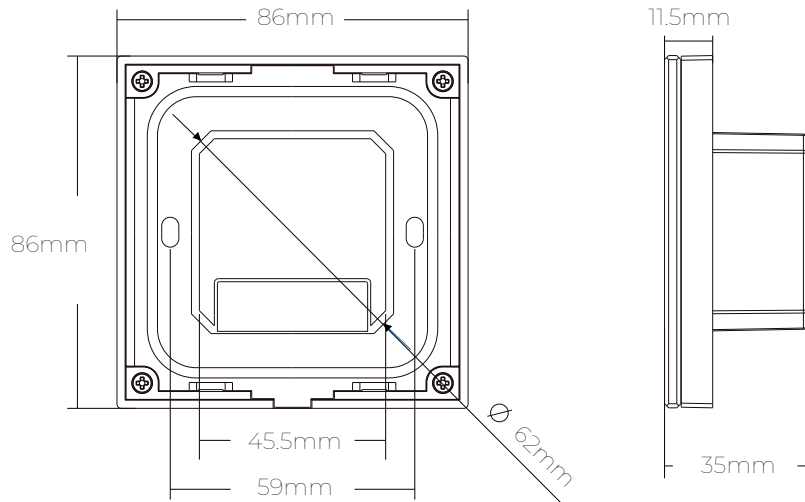
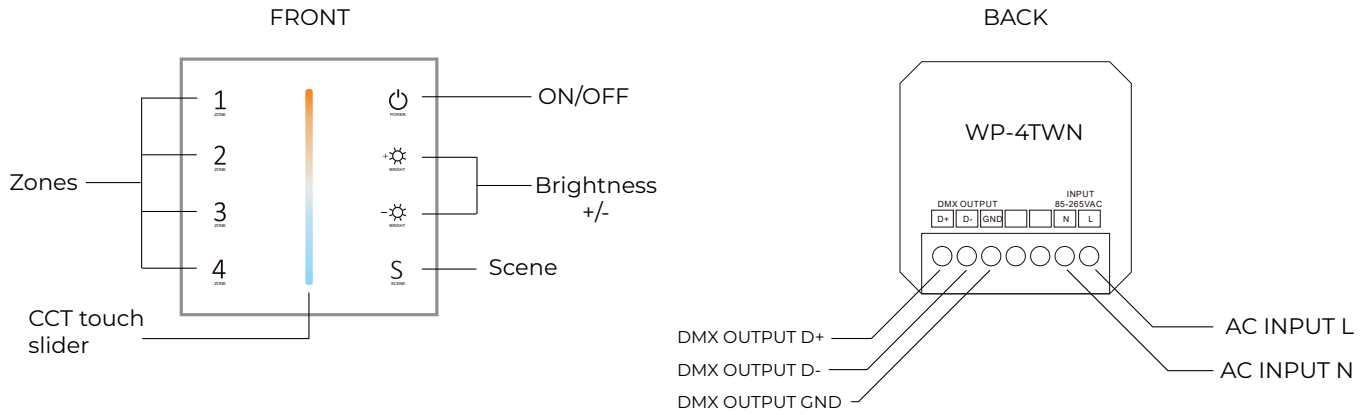


4 Zone DMX and RF wall panel

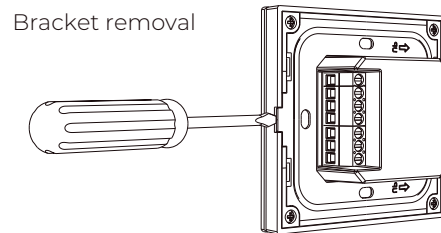
for Tunable White LED strip

INTALED

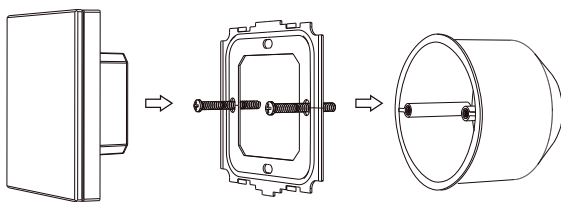
Controller layout



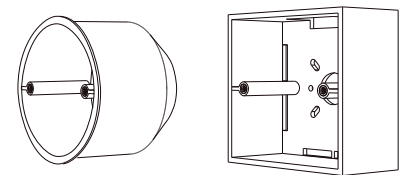
Installation diagram



Back box mounting



Compatible Back box types:

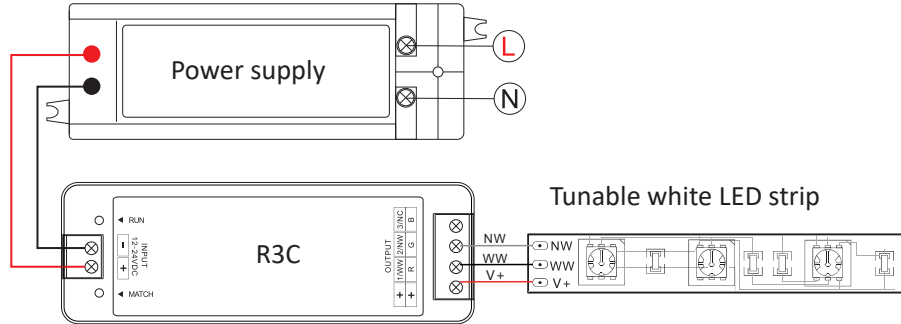


4 Zone DMX and RF wall panel

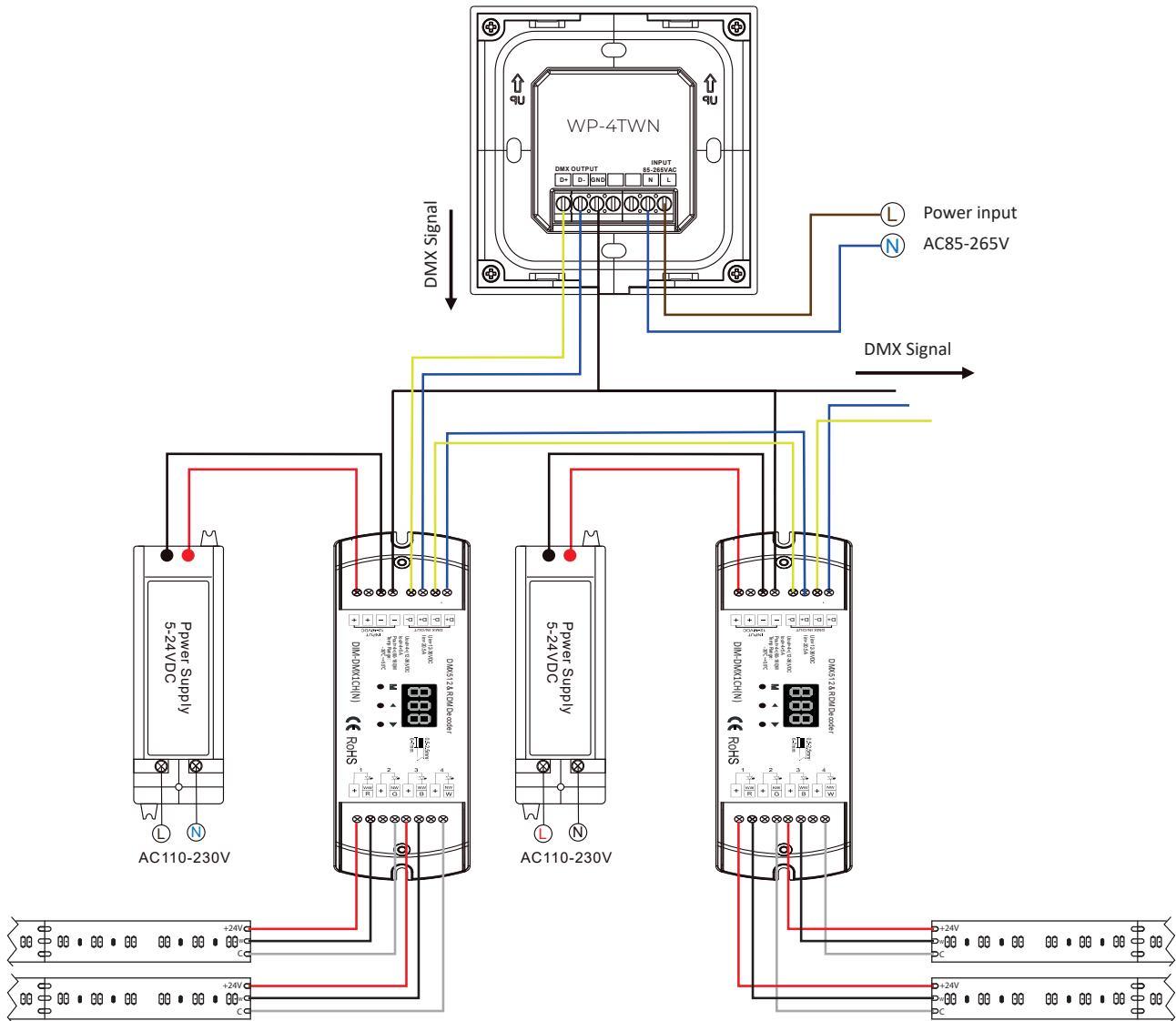
for Tunable White LED strip

INTALED

Receiver wiring diagram



DMX Decoder wiring diagram



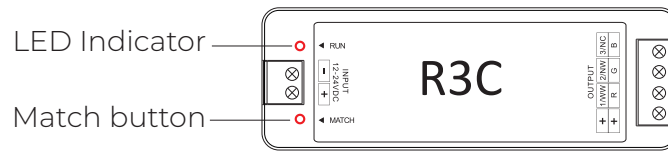
4 Zone DMX and RF wall panel

for Tunable White LED strip

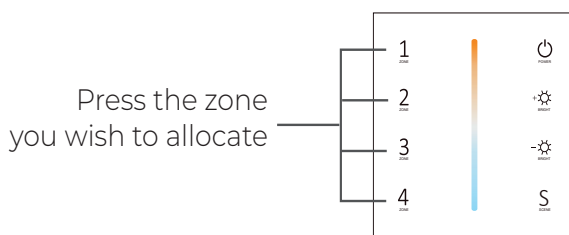
INTALED

Synchronising the wall panel to the receiver

1) Ensure the receiver has power. Press the match button on the receiver. LED Indicator will start flashing slowly.



2) Choose the zone you wish to allocate on the panel within 5 seconds after pressing the match button. The LED indicator on the receiver will flash rapidly 5 times and then stop flashing. The controller is now synchronised with the receiver.



3) Repeat the process to allocate zones for all receivers.

4) To restore the receiver to the factory default settings and delete the allocated controller, press and hold the match button on the receiver longer than 5 seconds until the LED indicator flashes quickly 5 times.

Note! RF technology allows for greater flexibility when it comes to controlling simple or complex lighting installations without the need of additional cabling. There are some limitations where installations have the receivers enclosed in electrical boxes or hidden away in a ceiling, reducing the RF signal strength and therefore the communication range.

In order to overcome these RF Signal restrictions we suggest the following when synchronising our RF controllers and receivers:

- Keep the distance within 10 meters from the controller to the receiver. The remote can operate up to 30 meters if signal is uninterrupted by obstacles.
- When expanding your lighting, always try and use a signal repeater (PR-RGB(N)), where possible.

Synchronising the wall panel to the DMX decoder

Address Setting in Tunable White mode when using a single decoder:

Zone	WW DMX Address	CW DMX Address
Tunable White Zone 1	001	002
Tunable White Zone 2	003	004
Tunable White Zone 3	005	006
Tunable White Zone 4	007	008

Note! DMX is a standard protocol for digital communication which allows control of DMX devices / lighting from a compatible DMX controller.

We recommend using the controller when controlling all lighting as a single zone.

Please note that with the DIMDMX1CH(N) one can use the manual button to switch ON the connected LED strips and check the operation by cycling through the various modes.

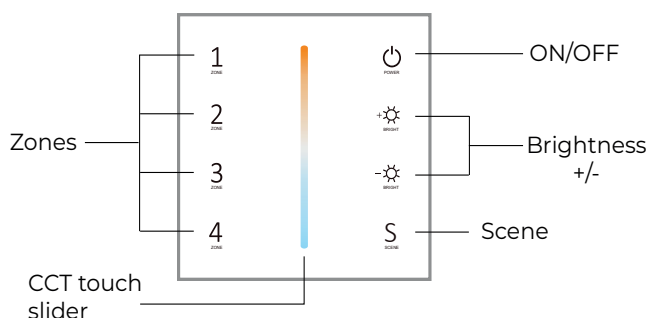
- When expanding your lighting always try and use a signal repeater (PR-RGB) where possible.
- If using DMX over 55mtrs it is recommended to use a DMX amplifier for longer distances.
- If the recoil effect occurs because of the long DMX signal line or bad DMX line quality, please try to connect a 0.25W 90-120Ω terminal resistor at the end of the DMX signal line.

4 Zone DMX and RF wall panel

for Tunable White LED strip

INTALED

Controlling the LED strip



- **ON/OFF:** Turn ON/OFF LED strips on the last setting.
- **Brightness +/-:** To adjust the brightness for the selected Zones, press + or - touch buttons.
- **Zones:** When ON choose the Zones you wish to control. When OFF short press Zone to turn ON current Zone, long press for 2s to turn OFF the desired Zone.
- **Scene:** Long press 2s to save current settings to Scene, short press to retrieve saved scene.

Sound ON/OFF: When OFF press and hold the Power button for more than 5 seconds until you hear the chime. Sound is now turned off. Repeat the procedure to turn the sound back on.

Troubleshoot

Problem	Cause	Corrective
No light	<ul style="list-style-type: none">• No power.• Wrong connection or unsecure connection.	<ul style="list-style-type: none">• Check the power.• Check the connection.
Wrong Colour	<ul style="list-style-type: none">• Wrong connection of RGB/W wires.	<ul style="list-style-type: none">• Retrace and reconnect RGB/W wires.
Uneven intensity between front and rear of the strip, with voltage drop	<ul style="list-style-type: none">• Output cable is too long.• Cable diameter is too small.• Overload beyond driver capability.• Overload beyond receiver capability.	<ul style="list-style-type: none">• Reduce cable or loop supply.• Change to a thicker cable.• Replace with a suitable higher power driver.• Add a power repeater.
No response from the remote	<ul style="list-style-type: none">• The wall panel has no power.• Beyond controllable distance.• The controller isn't synchronised with the remote.	<ul style="list-style-type: none">• Check the incoming supply to the wall panel.• Reduce remote to receiver distance.• Re-sync the remote.

Safety

- Products must be installed and serviced by qualified electrician.
- Please ensure the receiver is mounted in a water proof enclosure if installed in an outdoor environment, avoiding metallic enclosures.
- Always ensure products are mounted in areas with adequate ventilation to avoid overheating.
- Please ensure outputs of any power suppliers used in conjunction with this product comply with its working voltage.
- Never install product whilst connected to power and double check connections before switching on to avoid short circuits.

Guarantee:

All LED and electrical components carry a 5 year electrical guarantee, All lamps have their own average life span. We recommend all products are installed by NICEIC / registered electrical contractors, failure to do so will result in any guarantee becoming void.

INTALITE UK
148 - 154 Merton High Street;
London, SW19 1AZ, UK
Tel: +44 (0)20 8542 1471
Fax: 0870 4211 763
www.intalite.co.uk
sales@intalite.co.uk

Full Terms & Conditions:

For our full terms and conditions please visit our website - www.intalite.co.uk/terms-conditions

