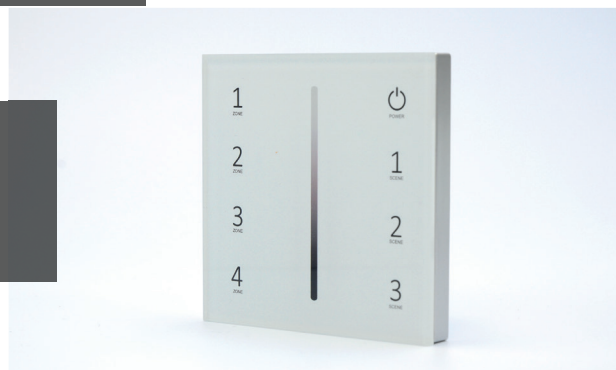


# 4 Zone DMX and RF wall panel

for Single Colour LED strip

# INTALED

## WP-4WN



### Product Description

The WP-4WN wall panel enables control of up to 4 zones of Single Colour LED strip, featuring simple to use back-lit touch controls for easy brightness adjustment .

### Wall panel Technical Specification

|                     |                       |
|---------------------|-----------------------|
| Controller          | WP-4WN                |
| Type                | RF and DMX wall panel |
| Input Voltage       | 85-265V AC            |
| Dimension (WxLxH)   | 86 x 86 x 35mm        |
| DMX Output Signal   | DMX512                |
| Operation Frequency | 2.4GHz                |
| IP rating           | IP20                  |

### Features

- Adjust brightness for up to 4 zones independently or simultaneously
- Touch sensitive glass and smooth dimming
- Backlit buttons for night time use
- Designed to fit into your existing switch back box
- Save lighting functions and preferences with scene save
- Receiver Auto-Transmitting function to achieve greater distances between receivers and the remote
- DMX512 signal output for wired control of single colour DMX decoders

### Compatible receiver Technical Specification

|               |                    |
|---------------|--------------------|
| Order code    | R3C                |
| Type          | RF receiver        |
| Input Voltage | 12-24V DC          |
| Current       | 3x4A               |
| Output        | 3X(48-96W)         |
| Note          | Constant voltage   |
| Dimension     | 33x97x18mm (WxLxH) |

### Compatible DMX decoder Technical Specification

|               |                     |
|---------------|---------------------|
| Order code    | DIM-DMX1CH(N)       |
| Type          | DMX decoder         |
| Input Voltage | 12-24V DC           |
| Current       | 4x5A                |
| Output        | 4x(60-120)W         |
| Note          | Constant voltage    |
| Dimension     | 50x170x23mm (WxLxH) |

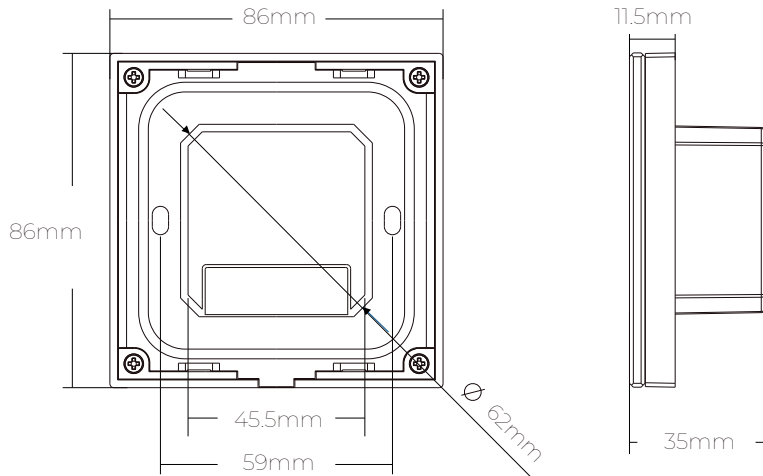
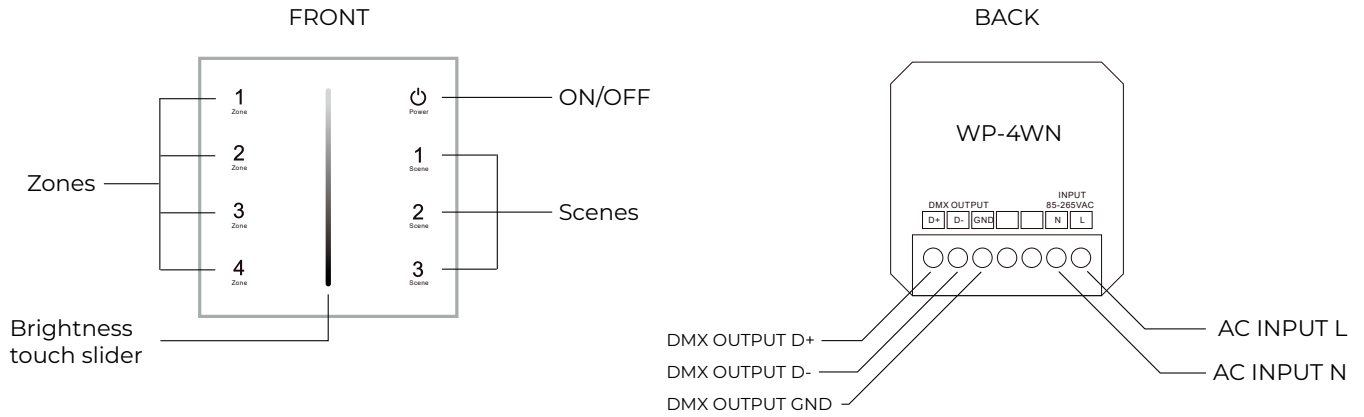


# 4 Zone DMX and RF wall panel

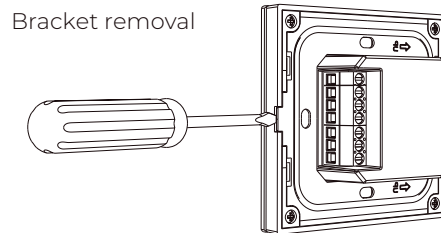
for Single Colour LED strip

# INTALIED

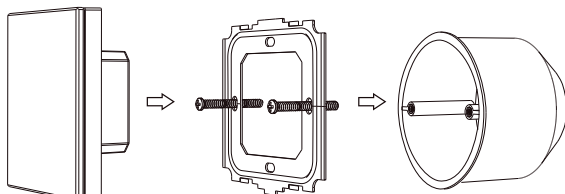
## Controller layout



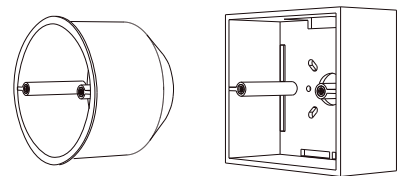
## Installation diagram



### Back box mounting



### Compatible Back box types:

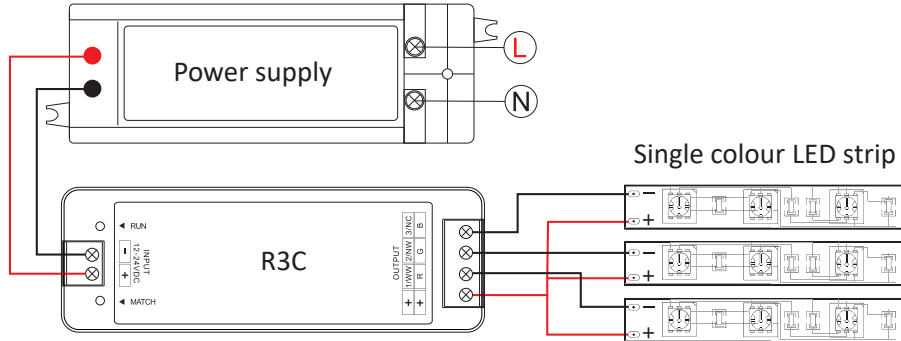


# 4 Zone DMX and RF wall panel

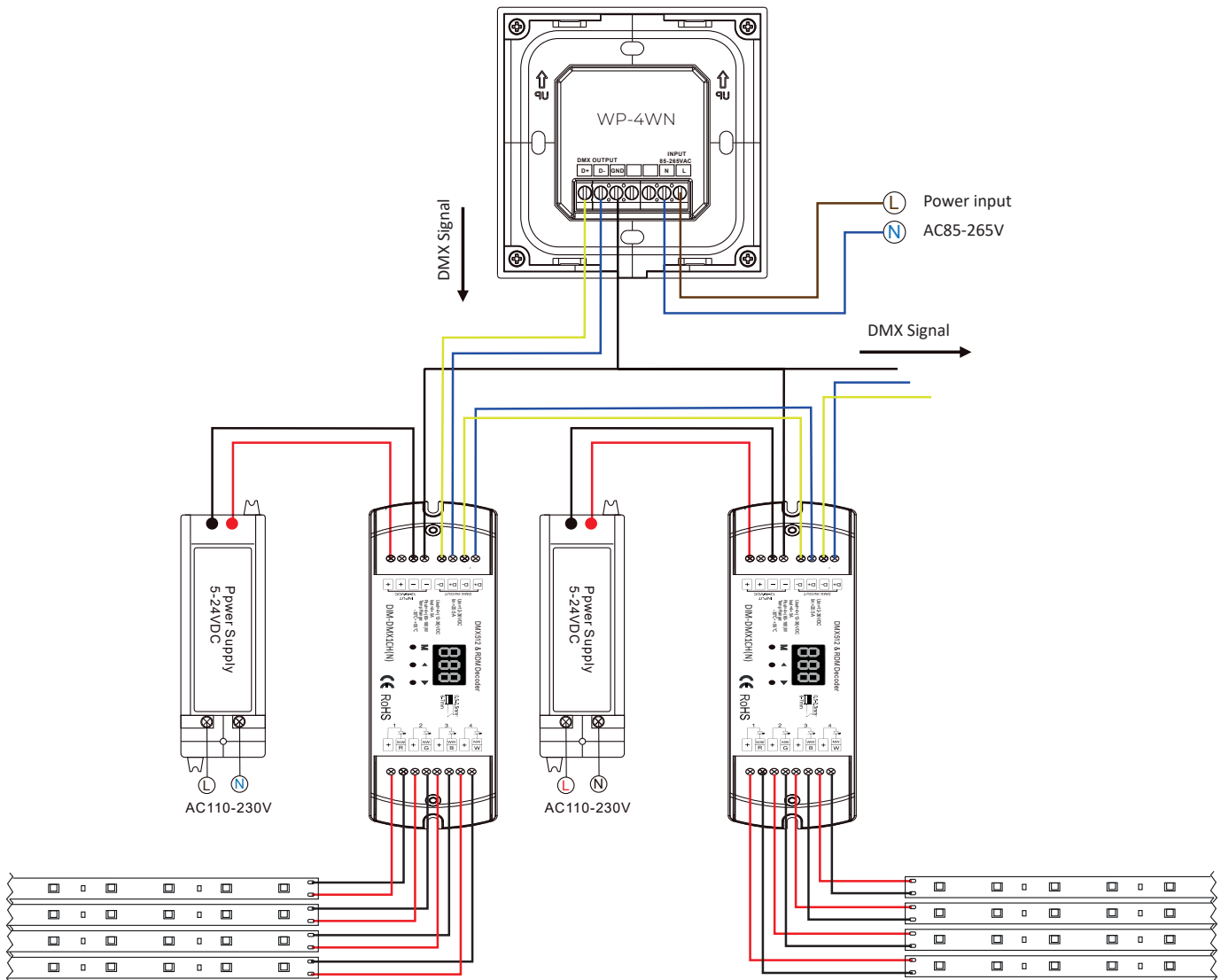
for Single Colour LED strip

# INTALED

## Receiver wiring diagram



## DMX Decoder wiring diagram



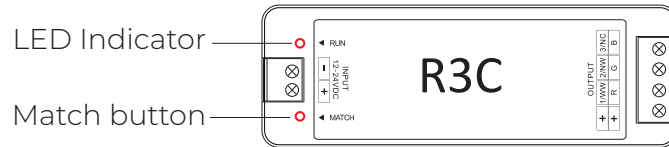
# 4 Zone DMX and RF wall panel

for Single Colour LED strip

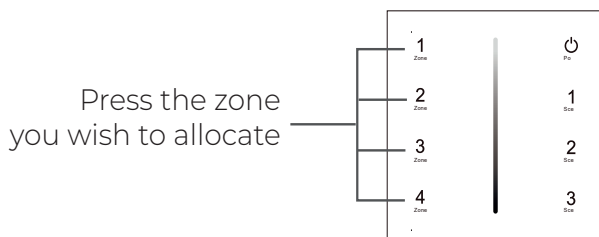
# INTALED

## Synchronising the wall panel to the receiver

**1)** Ensure the receiver has power. Press the match button on the receiver. LED Indicator will start flashing slowly.



**2)** Choose the zone you wish to allocate on the panel within 5 seconds after pressing the match button. The LED indicator on the receiver will flash rapidly 5 times and then stop flashing. The controller is now synchronised with the receiver.



**3)** Repeat the process to allocate zones for all receivers.

**4)** To restore the receiver to the factory default settings and delete the allocated controller, press and hold the match button on the receiver longer than 5 seconds until the LED indicator flashes quickly 5 times.

Note! RF technology allows for greater flexibility when it comes to controlling simple or complex lighting installations without the need of additional cabling.

There are some limitations where installations have the receivers enclosed in electrical boxes or hidden away in a ceiling, reducing the RF signal strength and therefore the communication range.

In order to overcome these RF Signal restrictions we suggest the following when synchronising our RF controllers and receivers:

- Keep the distance within 10 meters from the controller to the receiver. The remote can operate up to 30 meters if signal is uninterrupted by obstacles.
- When expanding your lighting, always try and use a signal repeater (PR-RGB(N)), where possible.

## Synchronising the wall panel to the DMX decoder

Address Setting in Single Colour mode when using a single decoder:

| Zone                 | Address |
|----------------------|---------|
| Single Colour Zone 1 | 001     |
| Single Colour Zone 2 | 002     |
| Single Colour Zone 3 | 003     |
| Single Colour Zone 4 | 004     |

Note! DMX is a standard protocol for digital communication which allows control of DMX devices / lighting from a compatible DMX controller.

We recommend using the controller when controlling all lighting as a single zone.

Please note that with the DIMDMX1CH(N) one can use the manual button to switch ON the connected LED strips and check the operation by cycling through the various modes.

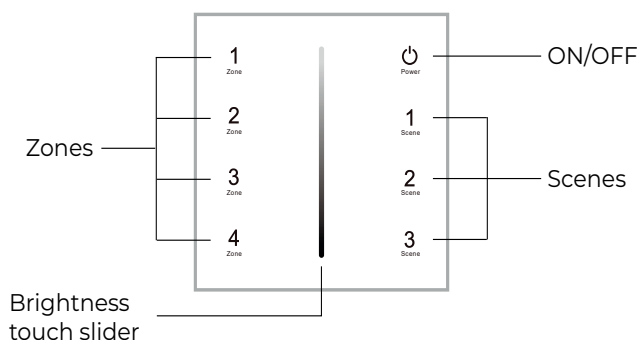
- When expanding your lighting always try and use a signal repeater (PR-RGB) where possible.
- If using DMX over 55mtrs it is recommended to use a DMX amplifier for longer distances.
- If the recoil effect occurs because of the long DMX signal line or bad DMX line quality, please try to connect a 0.25W 90-120Ω terminal resistor at the end of the DMX signal line.

# 4 Zone DMX and RF wall panel

for Single Colour LED strip

# INTALED

## Controlling the LED strip



- **ON/OFF:** Turn ON/OFF LED strips on the last setting.
- **Zones:** When ON choose the Zones you wish to control. When OFF short press Zone to turn ON current Zone, long press for 2s to turn OFF the desired Zone.
- To adjust the brightness for the selected Zones, touch the slider.
- **Scene:** Long press 2s to save current settings to Scene, short press to retrieve saved scene.

**Sound ON/OFF:** When OFF press and hold the Power button for more than 5 seconds until you hear the chime. Sound is now turned off. Repeat the procedure to turn the sound back on.

## Troubleshoot

| Problem   | Cause  | Corrective   |
|---|--|--|
| No light  | <ul style="list-style-type: none"><li>• No power.</li><li>• Wrong connection or unsecure connection.</li></ul>   | <ul style="list-style-type: none"><li>• Check the power.</li><li>• Check the connection.</li></ul>   |
| Wrong Colour  | <ul style="list-style-type: none"><li>• Wrong connection of RGB/W wires.</li></ul>   | <ul style="list-style-type: none"><li>• Retrace and reconnect RGB/W wires.</li></ul>   |
| Uneven intensity between front and rear of the strip, with voltage drop | <ul style="list-style-type: none"><li>• Output cable is too long.</li><li>• Cable diameter is too small.</li><li>• Overload beyond driver capability.</li><li>• Overload beyond receiver capability.</li></ul> | <ul style="list-style-type: none"><li>• Reduce cable or loop supply.</li><li>• Change to a thicker cable.</li><li>• Replace with a suitable higher power driver.</li><li>• Add a power repeater.</li></ul> |
| No response from the remote   | <ul style="list-style-type: none"><li>• The wall panel has no power.</li><li>• Beyond controllable distance.</li><li>• The controller isn't synchronised with the remote.</li></ul>                            | <ul style="list-style-type: none"><li>• Check the incoming supply to the wall panel.</li><li>• Reduce remote to receiver distance.</li><li>• Re-sync the remote.</li></ul>                                 |

## Safety

- Products must be installed and serviced by qualified electrician.
- Please ensure the receiver is mounted in a water proof enclosure if installed in an outdoor environment, avoiding metallic enclosures.
- Always ensure products are mounted in areas with adequate ventilation to avoid overheating.
- Please ensure outputs of any power suppliers used in conjunction with this product comply with its working voltage.
- Never install product whilst connected to power and double check connections before switching on to avoid short circuits.

## Guarantee:

All LED and electrical components carry a 5 year electrical guarantee, All lamps have their own average life span. We recommend all products are installed by NICEIC / registered electrical contractors, failure to do so will result in any guarantee becoming void.

## Full Terms & Conditions:

For our full terms and conditions please visit our website - [www.intalite.co.uk/terms-conditions](http://www.intalite.co.uk/terms-conditions)

INTALITE UK  
148 - 154 Merton High Street;  
London, SW19 1AZ, UK  
Tel: +44 (0)20 8542 1471  
Fax: 0870 4211 763  
[www.intalite.co.uk](http://www.intalite.co.uk)  
[sales@intalite.co.uk](mailto:sales@intalite.co.uk)

[www.intalite.co.uk](http://www.intalite.co.uk)



V002-11-2019