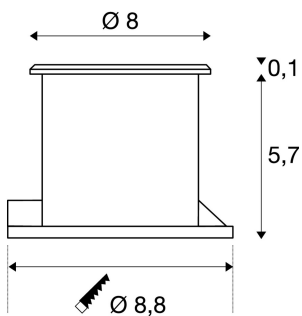




## DASAR® Flat

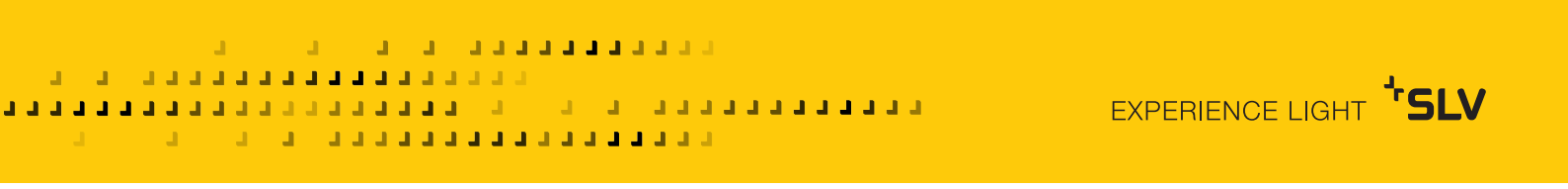
outdoor LED recessed floor light, stainless steel 304, 4000K, IP67, 4.3W

The 240V inground fitting DASAR FLAT 80 has a round stainless steel shade and frosted glass cover and is fitted with a high-performance power LED module. Because it is in protection class IP67, the luminaire - which is available with three light colours - is suitable for outdoor use. The electrical connection is made using the connection lead included directly to the 230V mains supply. A mounting pot is included in the delivery for simple assembly. This luminaire contains built-in LED lamps.



## TECHNICAL DATA

Item no.:	1002188
Lamps included	0
Primary nominal voltage	230V ~50/60Hz mA/V
Height	5.8 cm
Diameter	8.0 cm
Installation diameter	8.8 cm
Installation depth	5.7 cm
Net weight	0.425 kg
Gross weight	0.491 kg
IP Code	IP 67
Safety class	I
Impact resistance class	IK08
Impact resistance	5 Joule
Assembly	Recessed
Assembly details	Ground,Wall
Wattage	4.3 W
Lumen	110 lm
Colour temperature	4000 Kelvin
Beam angle	125 °
CRI	>80
Binning	3
Service life	30000 h



Minimum ambient temperature	-20 °C
Maximum ambient temperature	40 °C
Mechanical loading	0,18 t
BIG WHITE Page	722

### Accessories

228730	CONNECTION BOX , 3-pin, IP68
--------	------------------------------

### Notes

---

---

---

---

---