

DIM-DALI4CH 4 channel DALI decoder

Product Description

This 4 channel DALI decoder can control single colour, tunable white, RGB or RGBW LED strips. This product is compliant with the Dali standard protocol and is equipped with a digital display allowing users to set manual or automatic addresses.

Product Image



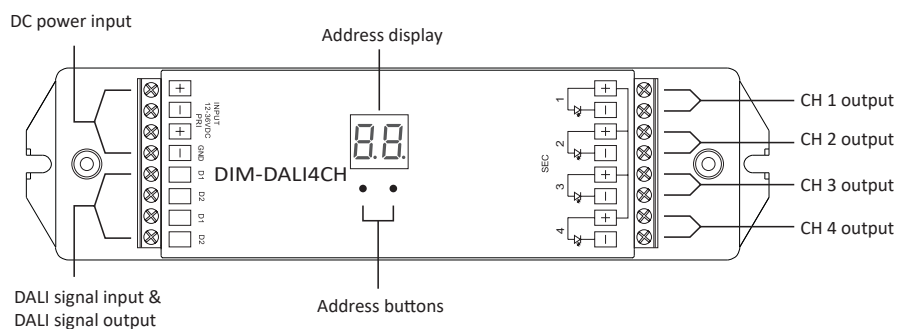
Technical Specification

Decoder	
Order Code	DIM-DALI4CH
Type	DALI decoder
Input Voltage	12-36VDC
Current	4X5A
Output	4X(60-180)W
Note	Constant voltage
Dimension	46x178x22mm (WxLxH)

Features

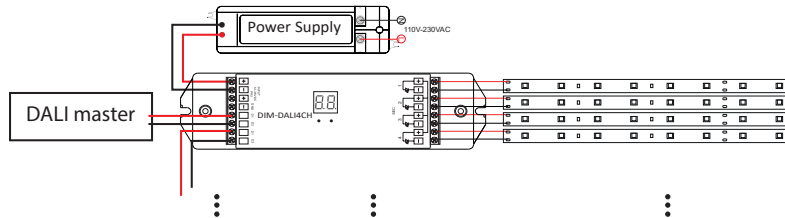
- Compatible with DALI standard protocol IEC 62386-102, IEC 62386-207
- Manual and automatic DALI address setting
- Digital address display
- Four independently addressable DALI channels
- Compatible with PR-RGB signal repeater to expand your LED lighting.

Decoder layout

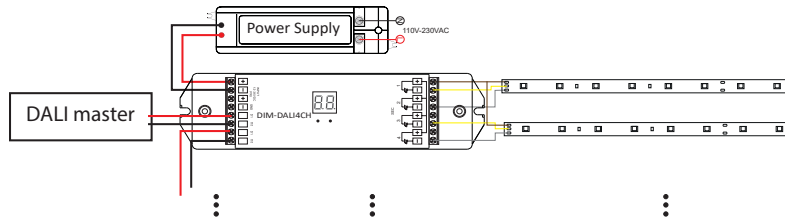


DIM-DALI4CH 4 channel DALI decoder

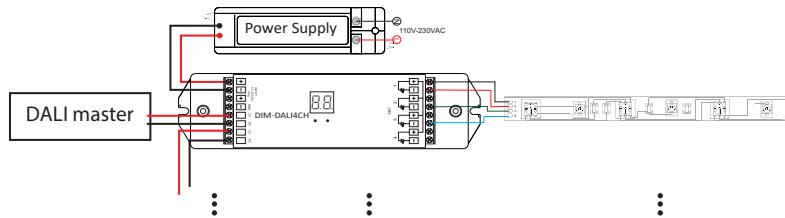
Decoder wiring diagram for single colour strip



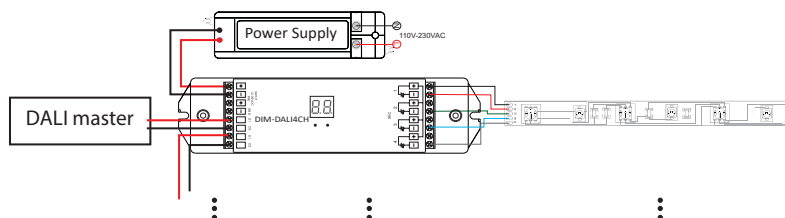
Decoder wiring diagram for tunable white strip



Decoder wiring diagram for RGB strip



Decoder wiring diagram for RGBW strip



When wiring the decoders, it is important to make sure the total wattage of the LED strips does not exceed the maximum rated wattage per channel of the decoder. Each channel is rated at 5A, so the maximum wattage per channel is $24 \times 5A = 120W$. The power supply has to match the rated voltage and be superior to the total LED strip wattage by a recommended 10%.

DIM-DALI4CH 4 channel DALI decoder

Synchronising the decoder

Setting the DALI address manually



• •
0-6 0-9

1. Press and hold down any of the two manual address buttons for 2 seconds until the numeric display flashes before releasing.
2. Press any of the two buttons once to select a digit, click again to change the digit until the desired DALI address appears.
3. Press each button to select the address you require (0-6, left hand button and 0-9, right hand button). To confirm the selected address press and hold any of the two buttons until the numeric display stops flashing to confirm the setting

Setting the DALI address output quantity



• •
1 2

1. Press and hold down both buttons until the numeric digital display flashes, then release the buttons.
2. Press first button to select "1A", "2A", "3A" or "4A" which means 1 address, 2 addresses, 3 addresses or 4 addresses.
3. Then press and hold down any of the 2 buttons until the numeric digital display stops flashing to confirm the setting. For example, when selecting 1A, all four channels will be the same address 22. When selecting 2A, channel 1 & 3 will be the same address 22, channel 2 & 4 will be the same address 23. For a full list of addresses per output 1A-4A please consult the table below.

Note: Setting DALI address as FF will reset the dimmer to factory default.

Address on DIM-DALI1CH	Channel 1	Channel 2	Channel 3	Channel 4
1A	22	22	22	22
2A	22	23	22	23
3A	22	23	24	24
4A	22	23	24	25

The decoder is set to 4A as default when supplied.

Safety

- Products must be installed and serviced by qualified electrician.
- Please ensure the receiver is mounted in a water proof enclosure if installed in an outdoor environment, avoiding metallic enclosures.
- Always ensure products are mounted in areas with adequate ventilation to avoid overheating.
- Please ensure outputs of any power suppliers used in conjunction with this product comply with its working voltage.
- Never install product whilst connected to power and double check connections before switching on to avoid short circuits.

Warranty

Should this product fail during the 3 year warranty period it will be replaced free of charge, subject to the correct installation of the original product in accordance with applicable and appropriate electrical codes and instructions provided by Teucer, as well as subsequent return of the faulty unit. Teucer does not accept responsibility for any installation costs associated with the replacement of this product and Teucer reserves the right to alter specifications without prior notice. Teucer can offer 5 year warranty upon request. For further information, please see our Terms and Conditions. www.teucerled.co.uk/terms-and-conditions/

Teucer (UK) Ltd
Head office

Bedford House, Fulham Green, Fulham High Street,
London, SW6 3JW, UK
Tel: +44 (0)20 7350 4429
Fax: +44(0)20 7228 4647
www.teucerled.co.uk
sales@teucer.eu

Logistics Centre

Trident Court,
1 Oakcroft Road,
Chessington,
Surrey, KT9 1BD, London, UK
Tel: +44(0)20 7350 4429, extension: 401
warehouse@teucer.eu