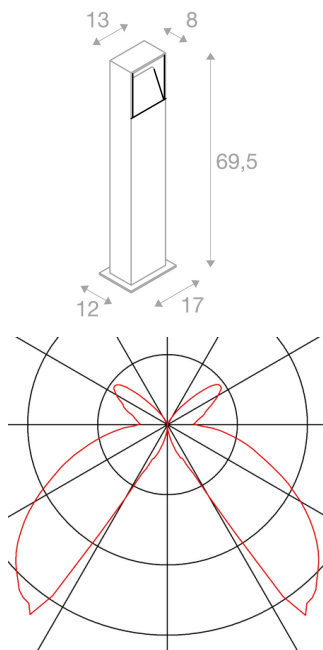




LOGS 70

outdoor floor stand, LED, 3000K, IP44, square, anthracite, L/W/H 13/8/69,5 cm, 8W

The indirect LED floor stand LOGS 70 is made from aluminium and equipped with a high-performance planar LED. Depending on the version various housing heights and colours are available. The required driver for direct connection to 230V mains supply is included in each package. For simplified mounting, a suitable earth-spike, screw set and junction box are available on accessory. In addition, the installation can be extended by wall lights of the series.



TECHNICAL DATA

Item no.:	232125
Lamps included	0
Primary nominal voltage	100-240V ~50/60Hz mA/V
Secondary power / secondary voltage	500 mA/V
Length	13.0 cm
Width	8.0 cm
Height	69.5 cm
Net weight	2.938 kg
Gross weight	3.801 kg
IP Code	IP 44
Safety class	I
Assembly	Surface
Assembly details	Ground
Wattage	10.0 W
Lumen	420 lm
Colour temperature	3000 Kelvin
CRI	>80
Service life	40000 h
Maximum ambient temperature	40 °C
BIG WHITE Page	558

Accessories

228730	CONNECTION BOX , 3-pin, IP68
228754	SCREW SET , stainless steel, M5, incl. plugs and washers.
231230	EARTH SPIKE , for GRAFIT, RUSTY SLOT, LOGS floor stand, galvanised steel, length 48cm
232119	CONCRETE ANCHOR SET , for LOGS floor stands, stainless steel

Notes
