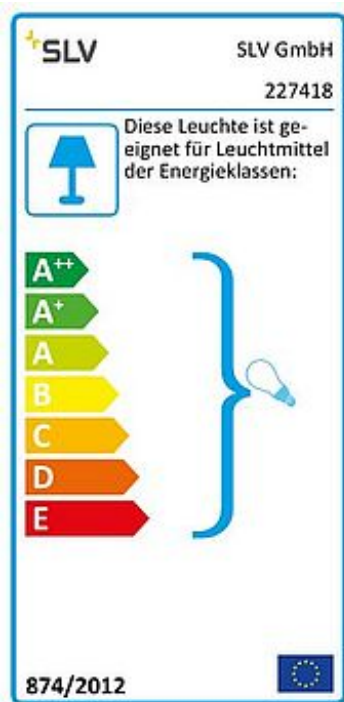


NAUTILUS SPIKE

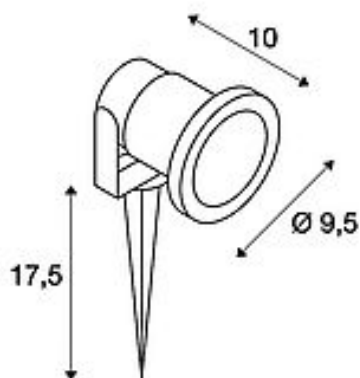
outdoor spike luminaire, QPAR51, IP65, silver-grey, max. 35W, incl. 1.5m cable with plug



SLV



Article number	227418
Product family	NAUTILUS
Feed-in capability	No
Lampholder / Socket	GU10
Number of light sources	1
Lamp included	No
Tilt range	180 Degree
Length	10 cm
Diameter	9.5 cm
Net weight	0.612 kg
Gross weight	0.682 kg
Voltage	230V ~50Hz
Max. wattage	35 Watt
Protection class	I
IP-rating	IP 65
Energy efficiency class	A++
Way of mounting	Surface mounted / Surface ground
Lamp	QPAR51
Colour	Silver-grey
Form	others
Light distribution type 1	direct
Material	Aluminium
Type of plug	IP Schuko plug



Articles of this series

227410	NAUTILUS SPIKE, outdoor spike luminaire, QPAR51, IP65, black, max. 11W, incl. 1.5m cable with plug
227419	NAUTILUS SPIKE, outdoor spike luminaire, QPAR51, IP65, round, silver-grey, max. 35W, incl. 3 m connection lead without plug
227500	NAUTILUS, outdoor spot, QR-C51, IP67, silver-grey, max. 35W
229090	NAUTILUS, outdoor spot, QR-C51, IP67, stainless steel 304, max. 35W
229100	NAUTILUS, outdoor spot, PAR38, IP65, stainless steel, max. 80W
229730	NAUTILUS, outdoor spot, TCR-TSE, IP67, stainless steel, max. 11W
229740	NAUTILUS SPIKE, outdoor spike luminaire, QPAR51, IP55, stainless steel, max. 35W, incl. 1.5m cable and plug
230802	NAUTILUS LED 304B, outdoor spot, 3000K, IP55, brushed stainless steel
230812	NAUTILUS LED 304S, outdoor spike luminaire, 3500K, IP55, brushed stainless steel
231022	NAUTILUS SPIKE COMPACT, outdoor spike luminaire, LED, 3000K, IP44, silver-grey, 230V, 4W
231025	NAUTILUS SPIKE COMPACT, outdoor spike luminaire, LED, 3000K, anthracite, 230V, 3.3W
231035	NAUTILUS, outdoor spike luminaire, LED, 3000K, IP65, square, anthracite, 9W
231045	NAUTILUS, outdoor wall and ceiling light, LED, 3000K, IP54, square, anthracite, 9W
231055	BIG NAUTILUS, outdoor wall and ceiling light, LED, 3000K, IP54, square, anthracite, 16.3W
229741	NAUTILUS, outdoor floodlight, QPAR51, stainless steel, max. 35W, incl. 1.5m cable
1001937	NAUTILUS 10 Spike, LED outdoor ground spike luminaire, rust coloured IP65, 3000K, 45°
1001938	NAUTILUS 10 Spike, LED outdoor ground spike luminaire, green IP65 3000K, 45°
1001962	NAUTILUS SPIKE, LED outdoor ground spike luminaire, stainless steel 316, IP55, 3000K

1001964 BIG NAUTILUS QPAR51, Outdoor ground spike luminaire, rust coloured IP65 max. 11W

1001965 BIG NAUTILUS QPAR51, outdoor ground spike luminaire, green IP65 max. 11W

The mobile spotlights of the NAUTILUS family are the Plug & Play best-sellers from SLV, which have enhanced a countless number of commercial and private outdoor areas for many years. The reasons are obvious: Uncompromising quality with regard to durability and flexibility. Be it harsh winter nights or warm summer evenings, a NAUTILUS outdoor fitting will adorn the garden with unmatched ambience and illuminating effects. Regardless of whether you illuminate your flowers, trees or water features with Nautilus. The NAUTILUS family has a wide range of versions with different models, designs and colours, with a plug or an open cable end, with an installation plate or an earth spike. With versions with a GU10 socket, please note the maximum dimensions and Wattages for the lamp that is going to be used (not included in scope of supply). When are you going to let yourself be impressed with the wide range of advantages of the SLV classic?

Notes
