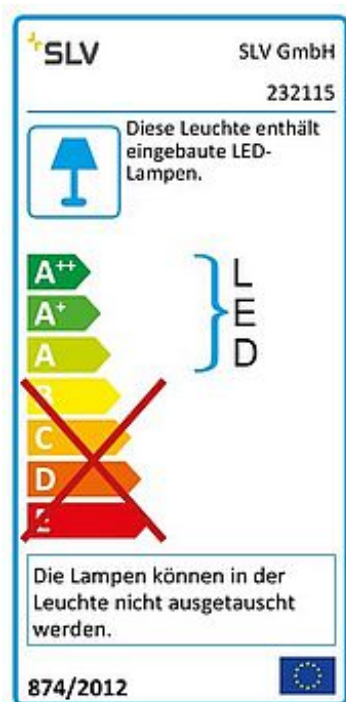


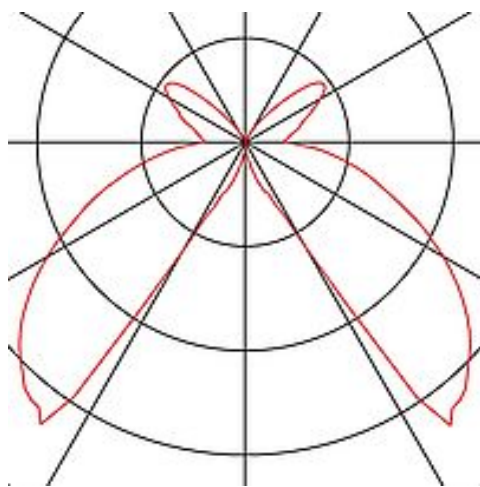
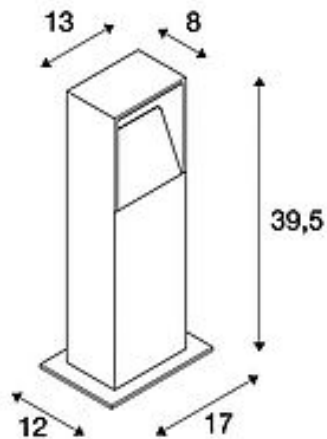



LOGS 40

outdoor floor stand, LED, 3000K, IP44, square, anthracite, L/W/H
13/8/39.5 cm, 8W

| | |
|---------------------------|----------------------------------|
| Article number | 232115 |
| Product family | LOGS |
| Feed-in capability | No |
| Lamp included | No |
| Length | 13 cm |
| Width | 8 cm |
| Height | 39.5 cm |
| Net weight | 2.021 kg |
| Gross weight | 2.714 kg |
| Voltage | 100-240V ~50/60Hz sec. 500mA |
| Protection class | I |
| IP-rating | IP 44 |
| Average lifespan | 40000 Hours |
| Colour temperature | 3000 Kelvin |
| Colour rendering index | 80 |
| Luminous flux | 420 lm |
| Energy efficiency class | A++ |
| Way of mounting | Surface mounted / Surface ground |
| Colour | anthracite |
| Form | square |
| Light distribution type 1 | direct - indirect |
| Light distribution type 2 | symmetric |
| Material | Aluminium |





Articles of this series

| | |
|---------|---|
| 151320 | LOGS IN wall light, LED, 3000K, square, black/brass, incl. LED driver |
| 151321 | LOGS IN wall light, LED, 3000K, square, white, incl. LED driver |
| 151325 | LOGS IN wall light, LED, 3000K, square, brushed aluminium /white, incl. LED driver |
| 232101 | LOGS WALL, outdoor wall light, LED, 3000K, IP44, square, white, 8W |
| 232104 | LOGS WALL, outdoor wall light, LED, 3000K, IP44, square, silver-grey, 8W |
| 232105 | LOGS WALL, outdoor wall light, LED, 3000K, IP44, square, anthracite, 8W |
| 232114 | LOGS 40, outdoor floor stand, LED, 3000K, IP44, square, silver-grey, L/W/H 13/8/39.5 cm, 8W |
| 232124 | LOGS 70, outdoor floor stand, LED, 3000K, IP44, square, silver-grey, L/W/H 13/8/69,5 cm, 8W |
| 232125 | LOGS 70, outdoor floor stand, LED, 3000K, IP44, square, anthracite, L/W/H 13/8/69,5 cm, 8W |
| 1000638 | LOGS IN, wall light, LED, 2000K-3000K Dim to Warm, black/brass |
| 1000639 | LOGS IN, wall light, LED, 2000K-3000K Dim to Warm, white |
| 1000640 | LOGS IN, wall light, LED, 2000K-3000K Dim to Warm, aluminium/white |

The indirect LED floor stand LOGS 40 is made from aluminium and equipped with a high-performance planar LED. Depending on the version various housing heights and colours are available. The required driver for direct connection to 230V mains supply is included in each package. For simplified mounting, a suitable earth-spike, screw set and junction box are available on accessory. In addition, the installation can be extended by wall lights of the series. This luminaire contains built-in LED lamps. EEI A - A++ The lamps in the luminaire cannot be replaced.

Notes
