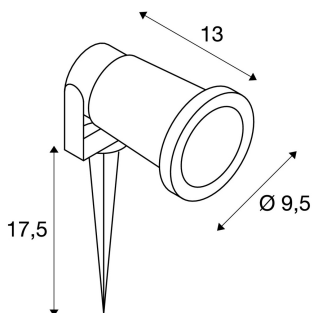




## BIG NAUTILUS QPAR51

outdoor ground spike luminaire, green IP65 max. 11W

The mobile spotlights of the NAUTILUS family are the Plug & Play best-sellers from SLV, which have enhanced a countless number of commercial and private outdoor areas for many years. The reasons are obvious: Uncompromising quality with regard to durability and flexibility. Be it harsh winter nights or warm summer evenings, a NAUTILUS outdoor fitting will adorn the garden with unmatched ambience and illuminating effects. Regardless of whether you illuminate your flowers, trees or water features with Nautilus. The NAUTILUS family has a wide range of versions with different models, designs and colours, with a plug or an open cable end, with an installation plate or an earth spike. With versions with a GU10 socket, please note the maximum dimensions and Wattages for the lamp that is going to be used (not included in scope of supply). When are you going to let yourself be impressed with the wide range of advantages of the SLV classic?



## TECHNICAL DATA

Item no.:	1001965
Socket	GU10
Lamp	LED GU10 51mm
Lamps included	0
Number of different light outlets	1
Primary nominal voltage	230V ~50Hz mA/V
Tilt range	180 °
Length	13.0 cm
Length of earth spike	17.5 cm
Diameter	9.5 cm
Net weight	0.584 kg
Gross weight	0.653 kg
IP Code	IP 65
Safety class	I
Impact resistance class	IK06
Impact resistance	1 Joule
Assembly	Surface
Assembly details	Ground
Wattage	11.0 W
BIG WHITE Page	588

## Recommended lamp

1001919	VALETO® LED lamp , GU10, RGBW, 60°, 5.6W
560122	MASTER LED GU10 , Philips, 3.5W, 40°, 2700K, dimmable

## Accessories

1000868	GARDEN OUTLET , 4-way, black, Germany version, 1.5m connecting cable, IP44
---------	--

## Notes

---

---

---

---

---