

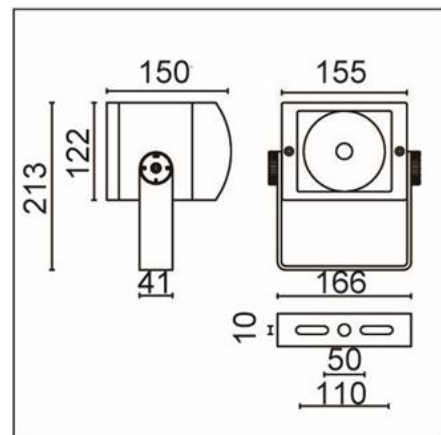
E94035WM Apollo 35 Spot - 60 Degrees

E94035WM is a surface-mount spotlight with a 60° beam angle primarily designed for energy-saving up lighting of trees. The wide angle 60° beam is ideal for up lighting small to medium wide and spreading trees. The Apollo features an adjustable stirrup bracket for mounting on walls and optional louvre, glare shield, ground spike and surface mount are available



PHYSICAL DATA

The IP65 rated Apollo range of spotlights are made from dark grey powder coated cast aluminium with a borosilicate glass lens. The bracket is manufactured from steel. The lens has "through-flow" slots to allow water to flow off the lens even if pointed directly upward or fitted with a glare shield. It uses a 35 watt single-ended G8.5 metal halide lamp and polished reflector to project a 60° symmetric circular beam. Optional glare shield (E94035G), louvre (E94035L), surface mount (E9402) and ground spike (E9401N) provide flexible installation options.



ELECTRICAL DATA

- 240v ac
- Current draw 0.26A

COMPATIBLE LAMPS (purchase separately)

Ceramic type G8.5 single-ended 35-watt metal halide lamp.

COMPLIANCE & WARRANTY

- 2 Year warranty

- CE / RoHS Compliant

INSTALLATION

To be installed by a qualified electrician. Supplied with 2m HO7RN-F 3 core rubber cable fitted for connection to armoured supply cable via a separate weatherproof junction box or underground joint kit (not supplied).

Using a single RCD for large numbers of 240v fittings is not recommended due to the risk of nuisance tripping. We advise the use of separate RCD protection for each circuit (the use of a C type breaker is recommended) and a maximum of 12 fittings per RCD.