

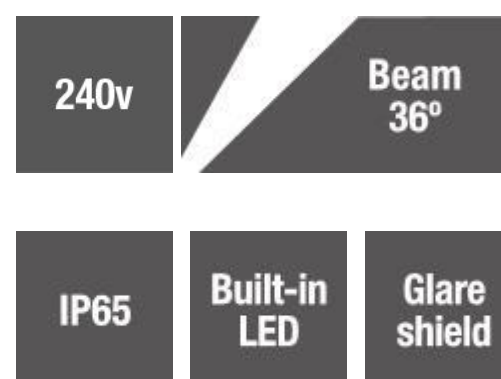
Elipta E9810WW – Titan10 LED Spotlight - 240v - 10w Warm White

Description

The Elipta E9810WW is an adjustable wall or spike-mount 240v LED spotlight with an aluminium body and glare shield powder-coated in black. It has a high-efficiency 10w COB led providing light output 750Lm in a focused 36-degree beam for Uplighting trees and focal points.



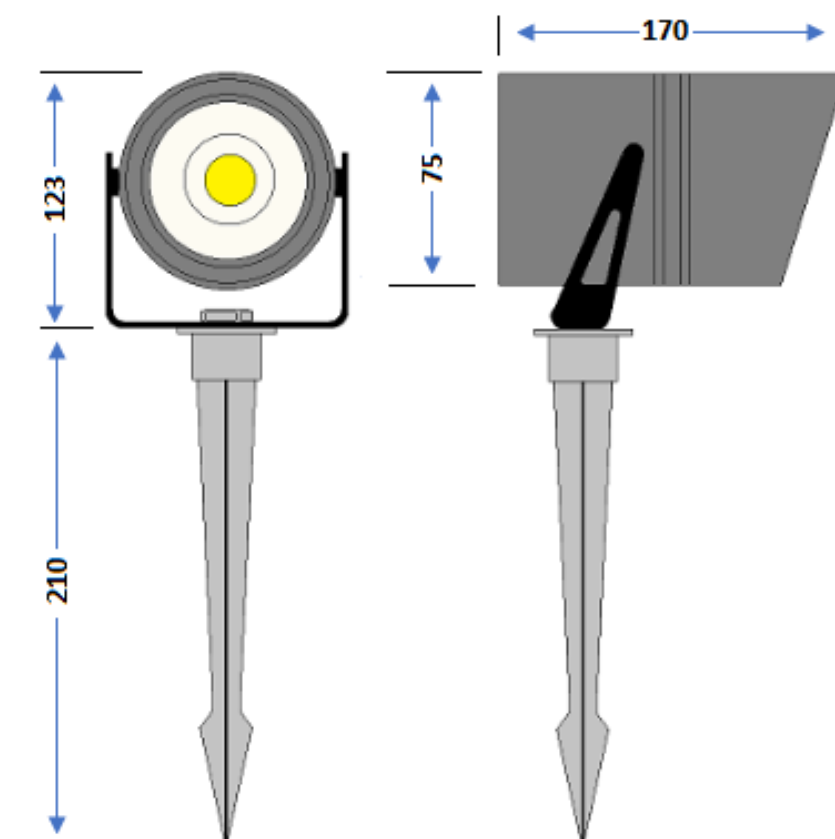
Electrical data	750Lm, 10w warm white (3000K) built in, non-dimmable, LED
Colour/ Finish	Powder coated black aluminium body.
Exterior Dimensions	170mm x 123mm including bracket.



Installation guidelines

Stirrup bracket mounts on walls or the ground spike supplied. A 2m input cable is provided for connection to the mains supply via a separate weatherproof junction box or underground joint kit (not supplied).

Using a single RCD for large numbers of 240v fittings is not recommended due to the risk of nuisance tripping. We advise the use of separate RCD protection for each circuit and a maximum of 12 fittings per RCD.



**2 YEAR
WARRANTY**

Exclusions: Damage by machinery, animals or the use of incorrect cleaning materials. Corrosion due to exposure to salt or chlorine. Damage due to incorrect installation practices. Responsibility for 3rd party cost; indirect or consequential loss