

# Elipta EP41240MV- Spike12 garden spotlight - 240v - 12w - 1250lm - 40° - 2700K - IP67 - Anodised Anthracite

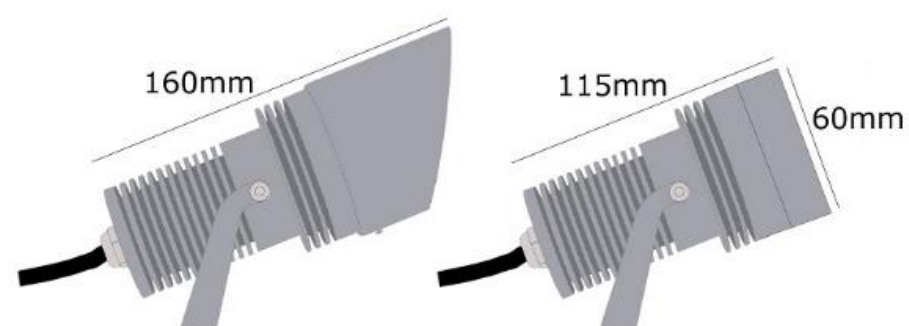
## Description

The Elipta Spike12 LED spike spotlight has a modern yet discrete anodised finish makes it a suitable fitting for both modern and traditional garden settings. Extra glare protection is available with the use of the EPGS65 glare shield. By removing the spike from the fitting, it can be mounted onto a pergola and used for spotlighting down on a subject.

240v Spike spotlights need their own circuit from an existing or new fuse box. The box must be protected by a residual current device (RCD) and controlled with a double-pole isolating switch. As a general rule of thumb, the armoured cables need to be run underground- at least 450mm with weatherproof junction boxes. Use an electrician qualified under 'Part P' building regulations to install any mains electricity outdoors who will certify the work properly

<b>Electrical</b>	240v built in 12w 1250lm LED 2700k 40° beam angle
<b>Colour/ Finish</b>	Anthracite anodised aluminium
<b>Exterior Dimensions</b>	115mm x 60mm. Bracket 51mm tall

240v 12w	240v Pre-wired 2m	Built-in LED	IP67
-------------	-------------------------	-----------------	------



Stirrup bracket mounts on walls or the ground spike supplied. A 2m input cable is provided for connection to the mains supply via a separate weatherproof junction box or underground joint kit (not supplied).

**Using a single RCD for large numbers of 240v fittings is not recommended due to the risk of nuisance tripping. We advise the use of separate RCD protection for each circuit and a maximum of 12 fittings per RCD.**

**3 YEAR  
WARRANTY**

Exclusions: Damage by machinery, animals or the use of incorrect cleaning materials. Damage due to incorrect installation practices. Responsibility for 3rd party cost, indirect or consequential loss.