

Elipta EP41240B- Spike12 garden spotlight - 24v dc - 12w - 1250lm - 40° - 2700K - IP67 - Black

Description

The Elipta Spike12 LED spike spotlight has a modern yet discrete anodised finish makes it a suitable fitting for both modern and traditional garden settings. Extra glare protection is available with the use of the EPGS65 glare shield. Powered from a 24v DC constant voltage LED power supply, purchase separately, it makes the Spike12 LED spike spotlight a safe option, while making it more flexible than 240v fitting when the lights need to be relocated due to the changes in the garden caused by seasonal fluctuation. By removing the spike from the fitting, it can be mounted onto a pergola and used for spotlighting down on a subject.



Electrical	24v DC built in 12w 1250lm LED 2700k 40° beam angle
Colour/ Finish	Black aluminium
Exterior Dimensions	115mm x 60mm. Bracket 51mm tall

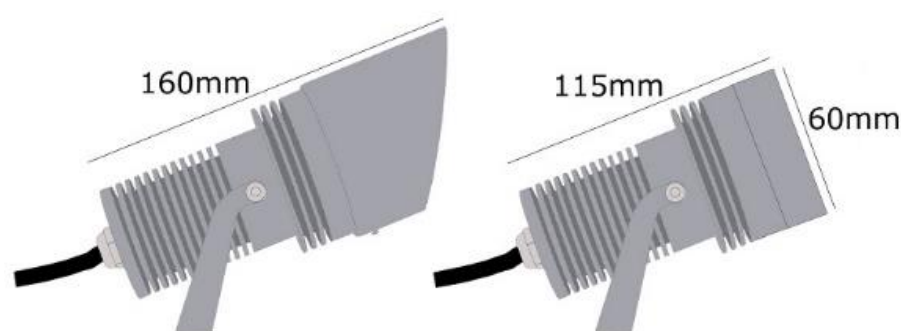
IP67	24v	Pre-wired 1.5m	50,000 Hours
Beam 40°		Built-in LED	

Installation guidelines

1.5 metres of 2 core cable fitted for connection to a 24v power supply or to a cable from a 24v LED power supply using T9962 cable joint kit or T9963 cable splice kit. Recycle wastewater may react with anodised finish.

Do not use wire wound transformers or constant current power supply.

Do not exceed 60% of the nominal rating when selecting your DC constant voltage power supply



3 YEAR WARRANTY

Exclusions: Damage by machinery, animals or the use of incorrect cleaning materials. Damage due to incorrect installation practices. Responsibility for 3rd party cost; indirect or consequential loss.