

Elipta EP4340- Spike3 garden spotlight - 12v dc - 3w - 130lm - 40° - 2700K - IP67 - Anodised Anthracite

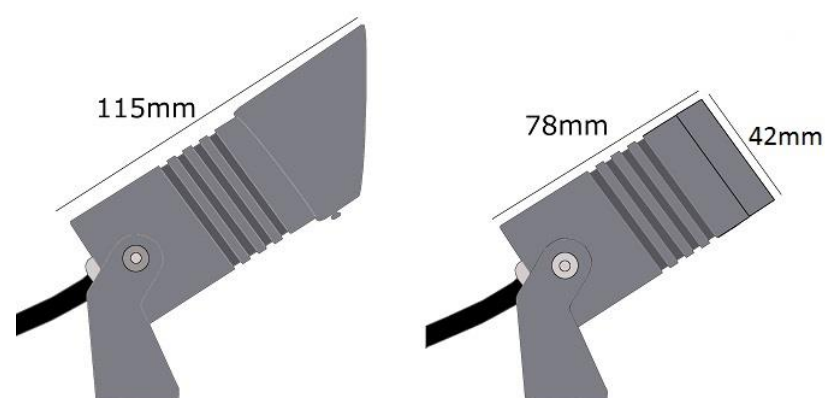
Description

The Elipta Spike3 LED garden spike spotlight has a modern yet discreet anodised finish making it a suitable fitting for both modern and traditional garden settings. Extra glare protection is available with the use of the EPGS46 glare shield. Powered from a 12v DC constant voltage LED power supply, the Elipta Spike3 LED spike spotlight is a safe option, while making it more flexible than 240v fittings if the lights need to be relocated due to the changes in the garden caused by seasonal fluctuations. By removing the spike from the fitting, the spotlight can be mounted onto a pergola or garden wall and used as a downlighter.



1.5 metres of 2 core cable fitted for connection to a 12v DC constant voltage LED power supply using T9962 cable joint kit or T9963 cable splice kit. *Do not use a wire wound transformer or constant current power supply.*

| | |
|----------------------------|---|
| Electrical | 12v built in 3w 130lm LED 2700k 40° beam angle |
| Colour/ Finish | Anthracite anodised aluminium |
| Exterior Dimensions | 78mm x 42mm. Bracket 51mm tall |



**3 YEAR
WARRANTY**

Exclusions: Damage by machinery, animals or the use of incorrect cleaning materials. Damage due to incorrect installation practices. Responsibility for 3rd party cost; indirect or consequential loss.