

# GLMR16KIT3 - Elipta Lunar 3 LED Spot Kit

Lunar is a budget-priced adjustable IP68 spotlight with a plastic body and MR16 lampholder for use with a 3w led lamp. It has a clear lens, a 5m cable with IP44 Plug&Play connector and a clip-on glare shield for lighting small focal points, or for use as an underwater spotlight in fountains and waterfalls. This 3-spot kit comprises 3 spotlights, 3 Ground Mounting spikes, 3 MR16 3w warm white led lamps with a 36 degree beam angle, a 12va transformer rated to supply the 3 led lamps and a 3 way connector which fits to the transformer output and allows for connection of the three spotlight cables. As mounting requirements may vary, if you wish to use a mounting base, extension pole or a tube bracket to allow mounting on fountain head pipes please order separately. Lunar is designed for easy installation with the minimum of tools with the Patilo range of Plug&Play transformers, connectors, extension cables and junction boxes.



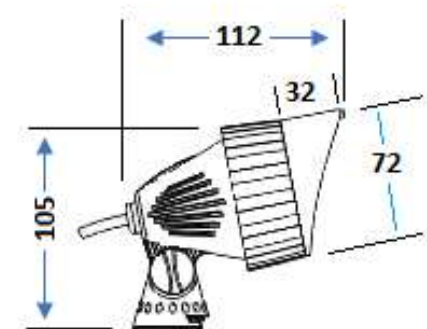
<b>Electrical</b>	12v AC Plug&Play MR16 3w LEDs
<b>Construction</b>	Plastic body with clip-on glare shield and adjustable knuckle joint. IP68 with IP44 cable connectors
<b>Dimensions</b>	112mm including 32mm glare shield with a 72mm diameter lens and 68mm tall
<b>Kit contents</b>	3 Lunar spotlights c/w glare shield & 5m cable with Plug&Play connector  3 Ground Mounting Spikes  3 MR16 3w warm white led lamps  One 20w Plug&Play transformer rated to supply 3 x 3w led lamps  One 3 way Plug&Play connector

IP68

Retrofit  
LED

12v  
MR16

5m input cable with male IP44 2-pin input connector to plug into a Plug&Play transformer, extension cable, connector or junction box: an IP68 connection may be achieved by using either the GLWJB IP68 junction box or GLWCC waterproof cable connector. Adjustable polycarbonate knuckle joint fits a range of mounting options including a spike, weighted base, extension pole and a tube bracket to allow mounting on fountain head pipes: order mount separately.



## 2 YEAR WARRANTY

Exclusions: Damage by machinery, animals or the use of incorrect cleaning materials.  
Corrosion due to exposure to salt or chlorine.  
Damage due to incorrect installation practices.  
Responsibility for 3rd party cost; indirect or consequential loss.