

GLWW18W Lumimax - Warm White 18w Recessed Light With Frosted Lens

Lumimax is a recessed uplight with a chamfered 316 stainless steel top with a brushed finish and nine 2w warm white led's providing light output equivalent to a 75w halogen lamp. It has a frosted lens and provides a focused 30° beam for uplighting trees and grazing facades or walls



PHYSICAL DATA

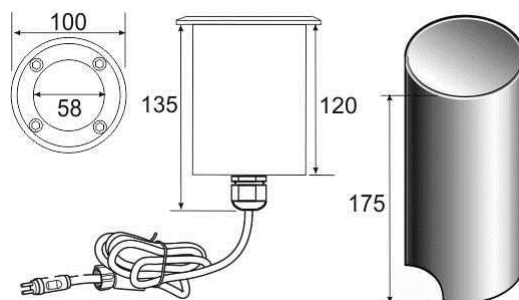
A 316 grade stainless steel chamfered top measuring 100mm in diameter secured to an aluminium body by four torx screws giving an overall length of 120mm. Supplied with a plastic mounting sleeve of 175mm length. Frosted lens has a 58mm aperture. The light has an IP68 rating.

ELECTRICAL DATA

12v ac 23w. Requires power from external 12v plug and play transformer. 9 x 2w CREE 3000K warm white LEDs producing 650 lumen output with a 30° beam angle. Supplied with a 5m twin core H05RN-F 0.75mm² cable terminated with a make 2-pin IP44 plug & play connector.

INSTALLATION

Insert the plastic sleeve into ground at time of construction, or retrofit by drilling a 95mm hole using a coring bit to a minimum depth of 175mm. Feed the cable through the sleeve and push the light into the tube. The retaining spring clips will hold the fitting in place. Connect the IP44 rated plug to a plug & play transformer, or extension cable. an IP68 connection may be achieved by using either the GLWJB IP68 junction box or GLWCC waterproof cable connector.



COMPLIANCE & WARRANTY

- 2 year warranty
- CE / RoHS Compliant

Exterior Lights UK Ltd
Web: www.exteriorlightsuk.co.uk
Email: sales@exteriorlightsuk.co.uk