

INSTRUCTION MANUAL

Safety Warnings

These products are only suitable for connection to a 240V~50Hz supply.

It is recommended that these lights are installed by a qualified electrician in accordance with current IEE Wiring Regulations and Building Regulations (Part P).

These fittings should be connected to a lighting circuit protected by a 5 amp fuse (or a 6 amp miniature circuit breaker).

These lights have an IP44 (splash proof) rating suitable for use outdoors.

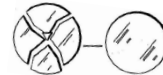
Run supply wire from a 5-amp electrical supply using double insulated 3-core cable of type H05RN-F 1.0mm² (not supplied) to selected site, ensuring it is adequately protected through the full length of the cable run, it must come out of the flat surface of the mounting surface in line with the entry to the fitting.

Except where installed in a conduit or duct, which provides equivalent protection against mechanical damage, a cable buried in the ground shall incorporate an earthed armour or metal sheath or both, suitable for use as a protective conductor, or be of insulated concentric construction. Buried cables shall be marked by cable covers or a suitable marking tape. Buried conduits and ducts shall be suitably identified. Buried cables, conduits and ducts shall be at a sufficient depth to avoid being damaged by any reasonably foreseeable disturbance of the ground.

These products contain breakable parts – be careful during handling and maintenance to avoid breakage.

The shades can become hot in use. Switch off and allow 10 minutes to cool before cleaning (using a dry cloth only – do not use liquid or abrasive cleaners).

If the covers are broken or cracked then they must be replaced immediately to preserve the water ingress protection, please consult your retailer. This is represented by the symbol



IMPORTANT: To achieve maximum corrosion resistance the surface of the Stainless Steel must be kept clean. Surface contamination and the formation of deposits are critical factors which may lead to drastically reduced life. An example is salt deposits from marine conditions. Cleaning with soap or a mild detergent and warm water followed by a careful clean water rinse and finally wiping dry is usually adequate for most S/S items used in the domestic environment. Care must be taken to turn off the mains supply until the cleaning process has been completed and the fitting is completely dry.

If any modification is made it will invalidate the warranty and may render the product unsafe.

Before you start

Please read these instructions carefully before fitting your new light and retain for reference.

Switch off the mains supply and remove the appropriate fuse or switch off the appropriate circuit breaker before commencing installation.

Ensure that no one else has access that would enable the supply to be inadvertently reconnected.

Check the packaging and make sure that you have all the required parts.

Follow each assembly step in order to prevent incorrect assembly

Make sure all screws / nuts, including electrical connections etc are fully tightened before use.

This type of Light Fitting may be connected to a Dimmer if a Tungsten incandescent bulb is used (as supplied). If a CFL type bulb is fitted then these cannot (generally) be controlled by a dimmer.

The Light pack contains:

Wall light and bracket.

Terminal connection block.

The following tools may be required:

Selection of cross and flat head screwdrivers.

Electric drill and assorted drill bits.

Wire strippers.

Electrical insulation tape.

Assembly / user instructions

These assembly diagrams are intended as a guide – if in doubt consult a qualified electrician. The twin light has been shown here but the same general instruction applies to the single light version.

Diagram A

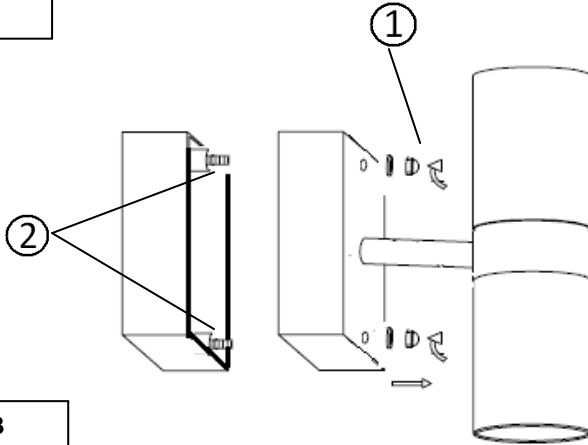
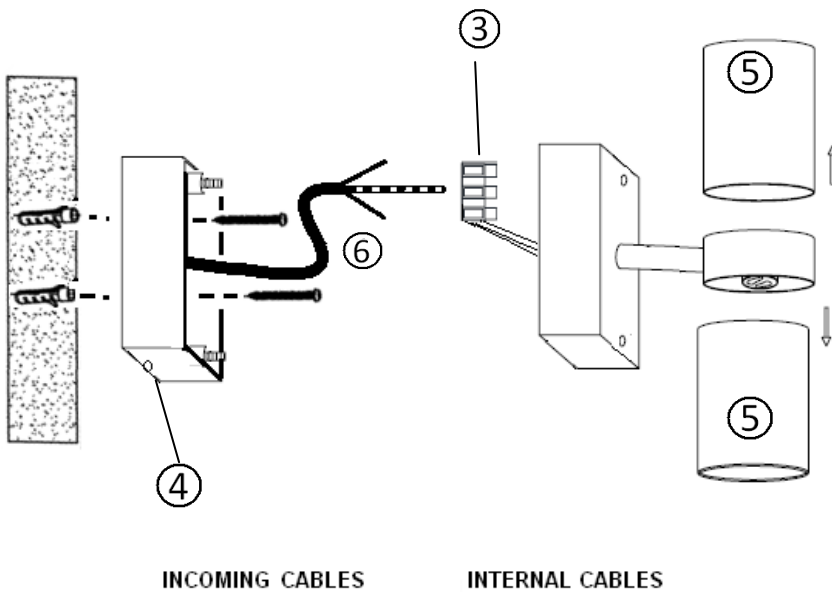


Diagram B

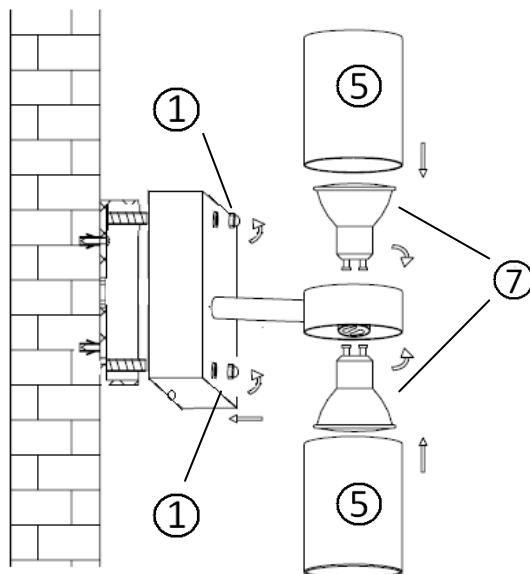


INCOMING CABLES

INTERNAL CABLES

Neutral — N		White cable(s)
Earth (Green / Yellow or sleeved copper)		Green / Yellow (Earth) cable
Switched Live — L		Black cable(s)

Diagram C



Endon Lighting
LS9 0SE

20160701

N210 116

- Determine the position of your light fitting taking into account the exit position of the cable. Ensure that the mounting surface is solid, preferably a brick or block wall and ensure that there are no other cables or pipes beneath the surface. Use appropriate fixings. Wall plugs and screws as supplied are shown here.
- Diagram A.** Separate the plastic back plate from the fitting by removing the two domed nuts / washers (1) on the front of the fitting. Leave the threaded (2) bolts in the back plate.
- Diagram B.** The internal terminal block (3) can be removed from its mounting position inside the back plate to ease fitment of the back plate. Use the back plate as a template to mark the screw holes. Make sure the back plate is correctly aligned with the drain hole (4) at the lowest position. NOTE: The GU10 bulbs will be fitted on receipt but at times of replacement, the bulb cover end caps (5) need to be unscrewed and then the bulbs removed / fitted.
- Use a sharp object such as a screwdriver to pierce the rubber grommet in the back plate. Feed the incoming cable (6) through the rubber grommet and attach the back plate to the wall. Do not over tighten as this could damage the back plate.
- Connect the house wiring to the internal terminal block (3). **NOTE: This is a Class I fitting and must be earthed. See wiring details.**
- Diagram C.** Place the fitting over the back plate, ensuring that the bolts in the back plate are aligned with the holes in the front of the fitting. Replace the domed nuts / washers (1) to secure the fitting. Do not over tighten. Fit the bulbs (7) (supplied) into the lamp holders – see NOTE in 3 above. **NOTE: Never fit bulbs of a higher wattage or of a type other than those specified on the label (as these may cause overheating and damage the fitting).**
- Fit the bulb covers (5).
- Turn on the power and test.

