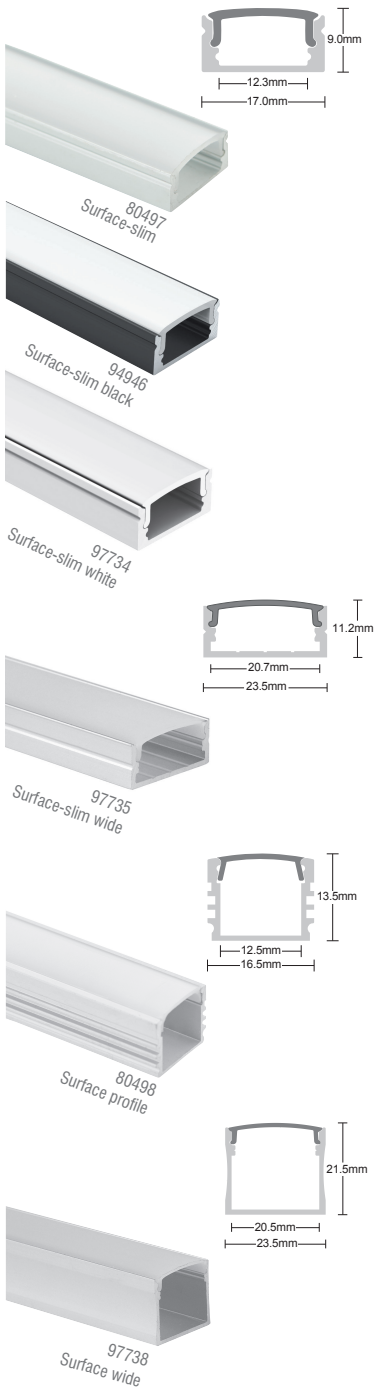


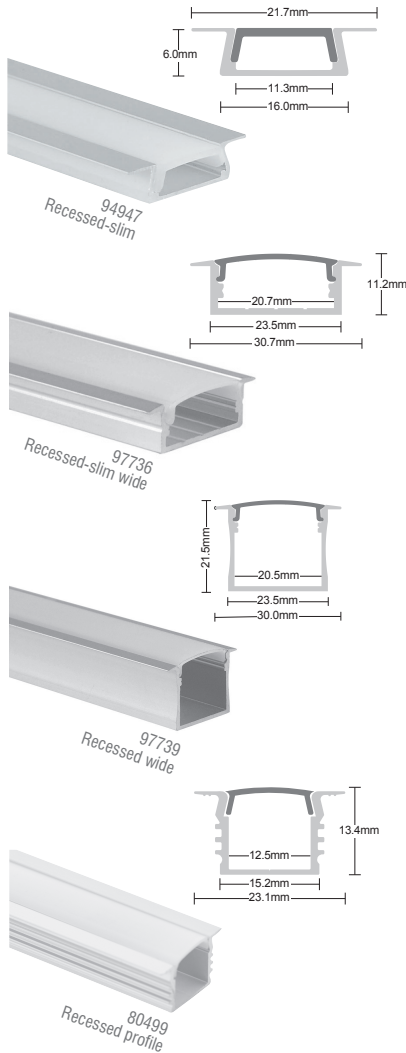
EXTRUSION

80497, 80498, 80499, 80500, 80501, 94946, 94947, 94948, 94949
 97732, 97734, 97735, 97736, 97737, 97738, 97739

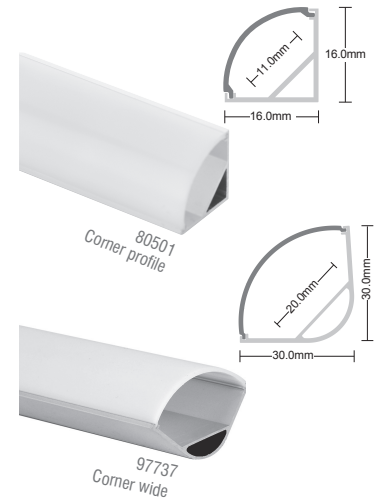
Surface



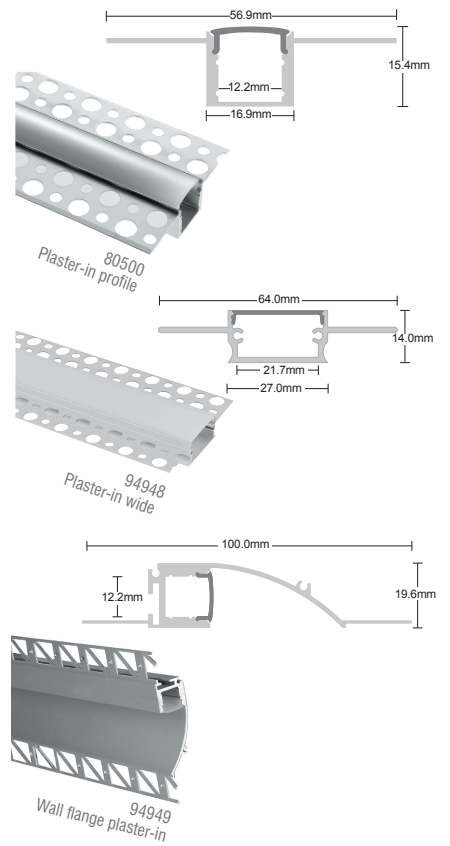
Recessed



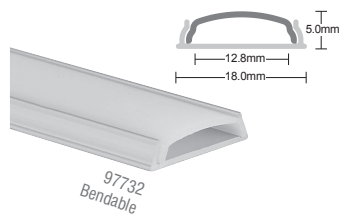
Corner



Plaster-in



Bendable



Thank you for purchasing this accessory. Please read the instruction carefully before use to ensure safe and satisfactory operation of this product. Please retain these instruction for future reference.

Specification - Dimensions:

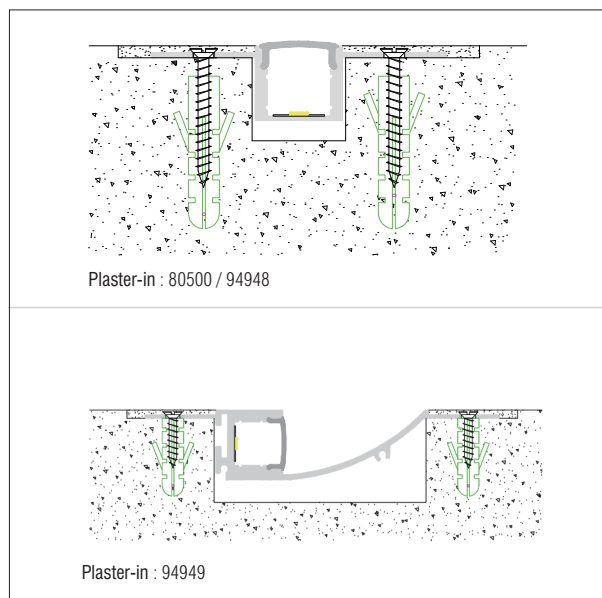
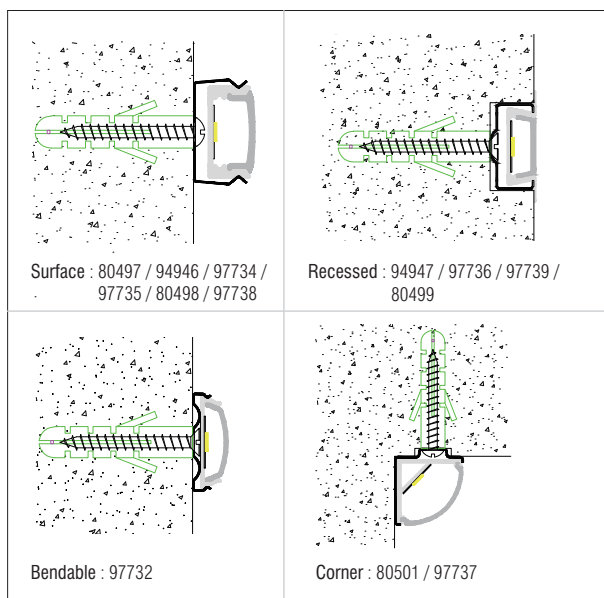
Surface - 80497: 2000mm x 17mm x 9mm	Recessed - 94947: 2000mm x 21.7mm x 6mm	Corner - 80501: 2000mm x 16mm x 16mm
94946: 2000mm x 17mm x 9mm	97736: 2000mm x 30.7mm x 11.2mm	97737: 2000mm x 30mm x 30mm
97734: 2000mm x 17mm x 9mm	97739: 2000mm x 30.0mm x 21.5mm	
97735: 2000mm x 23.5mm x 11.2mm	80499: 2000mm x 23.1mm x 13.4mm	Plaster-in - 80500: 2000mm x 56.9mm x 15.4mm
80498: 2000mm x 16.5mm x 13.5mm		94948: 2000mm x 64mm x 14mm
97738: 2000mm x 23.5mm x 21.5mm	Bendable - 97732: 2000mm x 18mm x 5mm	94949: 2000mm x 100mm x 19.6mm

Installation for Surface / Recessed / Bendable / Corner

- Choose an ideal place to mount the profile.
- Remove the 4 brackets from the fixing pack.
- Using the brackets as templates, mark and drill the position of the fixing holes.
- Ensure the mounting structure is capable of holding the weight of the product. Take care to avoid damaging any concealed wiring and pipes.
- Attach both brackets to the chosen mounting surface using the provided screws.
- Remove the backing off of the chosen LED module strip and stick down inside the aluminium profile.
- Attach diffuser to the profile, sliding into the profile grooves.
- Place end caps onto the ends of the fitting.
- Push profile onto the brackets to secure.
- Your fitting is now ready for use.

Installation for Plaster-in

- Using the aluminium profile as templates, mark and drill the position of the fixing holes.
- Ensure the mounting structure is capable of holding the weight of the product. Take care to avoid damaging any concealed wiring and pipes.
- Remove the backing off of the chosen LED module strip and stick down inside the aluminium profile.
- Attach diffuser to the profile, sliding into the profile grooves.
- Place end caps onto the ends of the fitting.
- Push the aluminum profile into the existing groove.
- Then use screws to fix the aluminum profile to the wall
- Cemented the sides of the aluminum profile.



* Product images may vary.

Care and Safety

We recommend cleaning with a soft dry cloth. Do not use solvents or abrasive cleaners as these could damage the finish. For your safety, always switch off the power supply before changing lightbulbs, or cleaning.